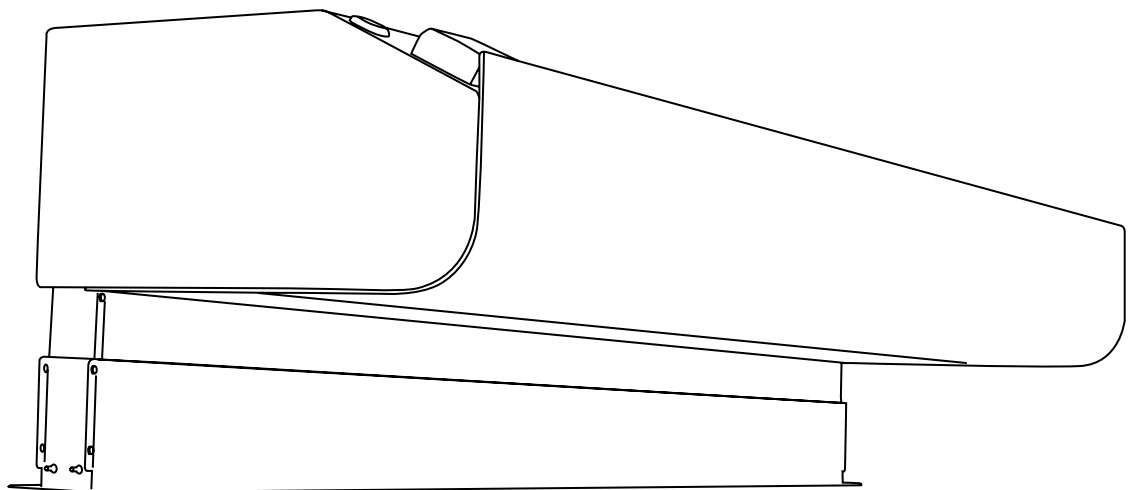


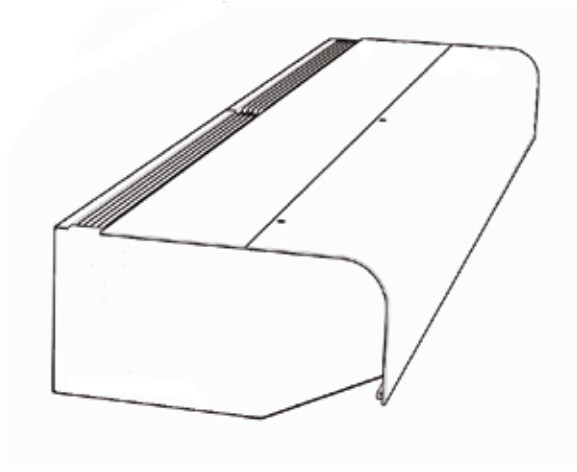
Original instructions

PA3XT

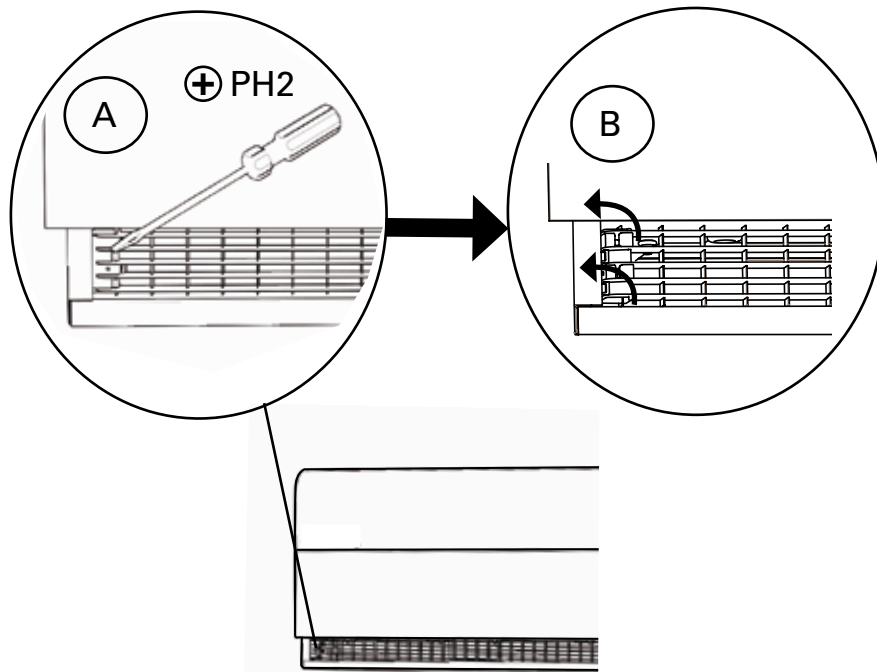
PA4XT



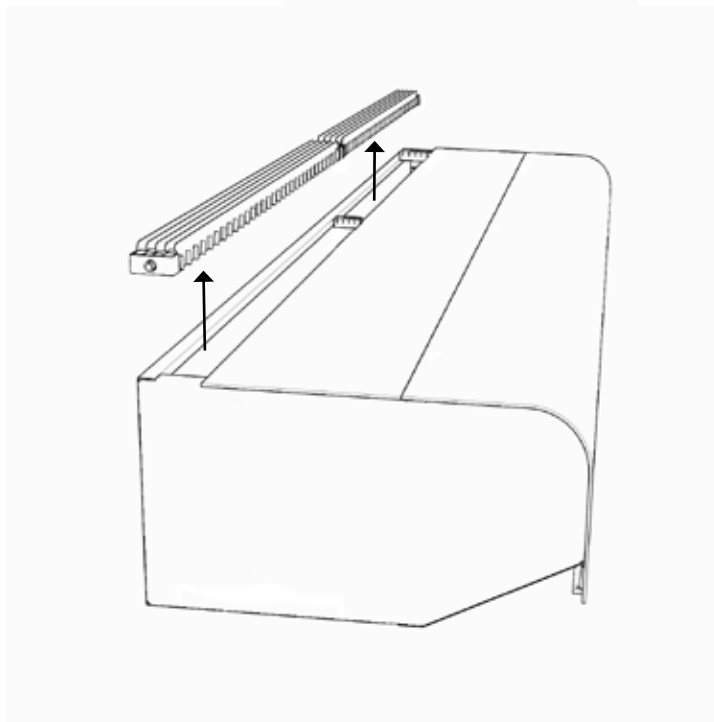
1



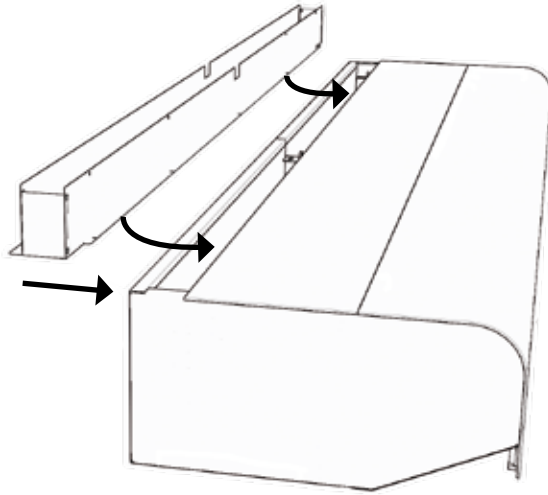
2



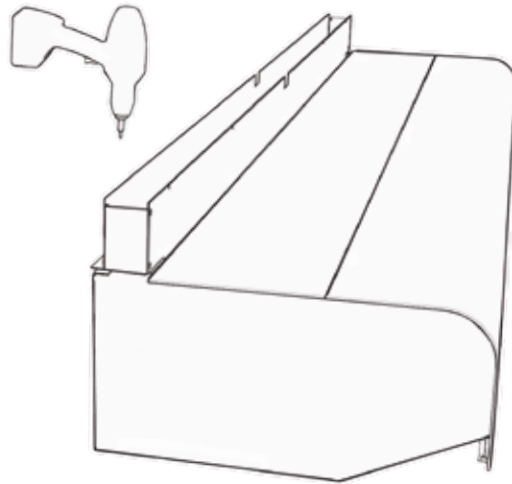
3



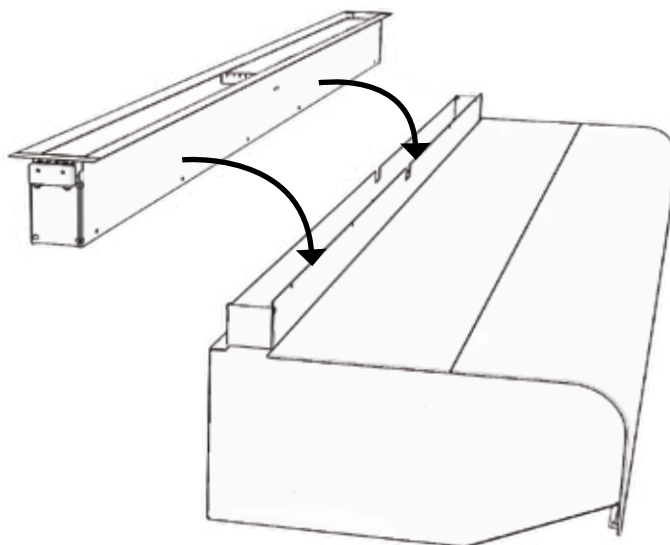
4



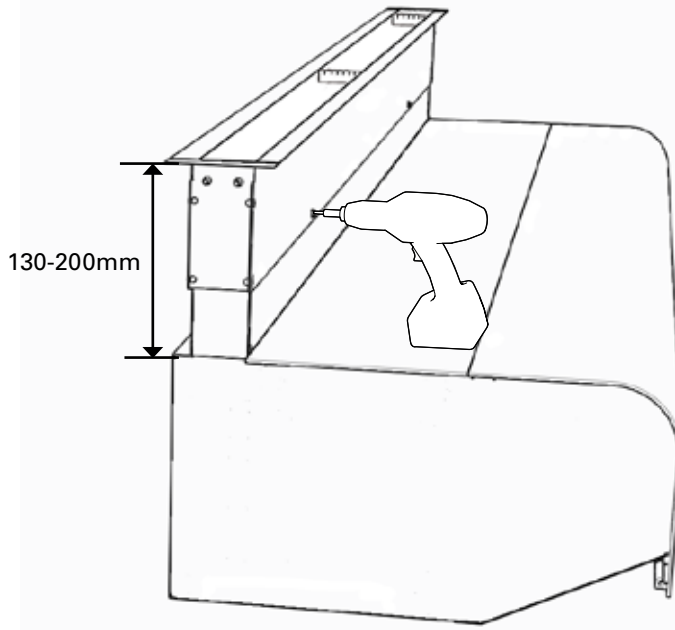
5



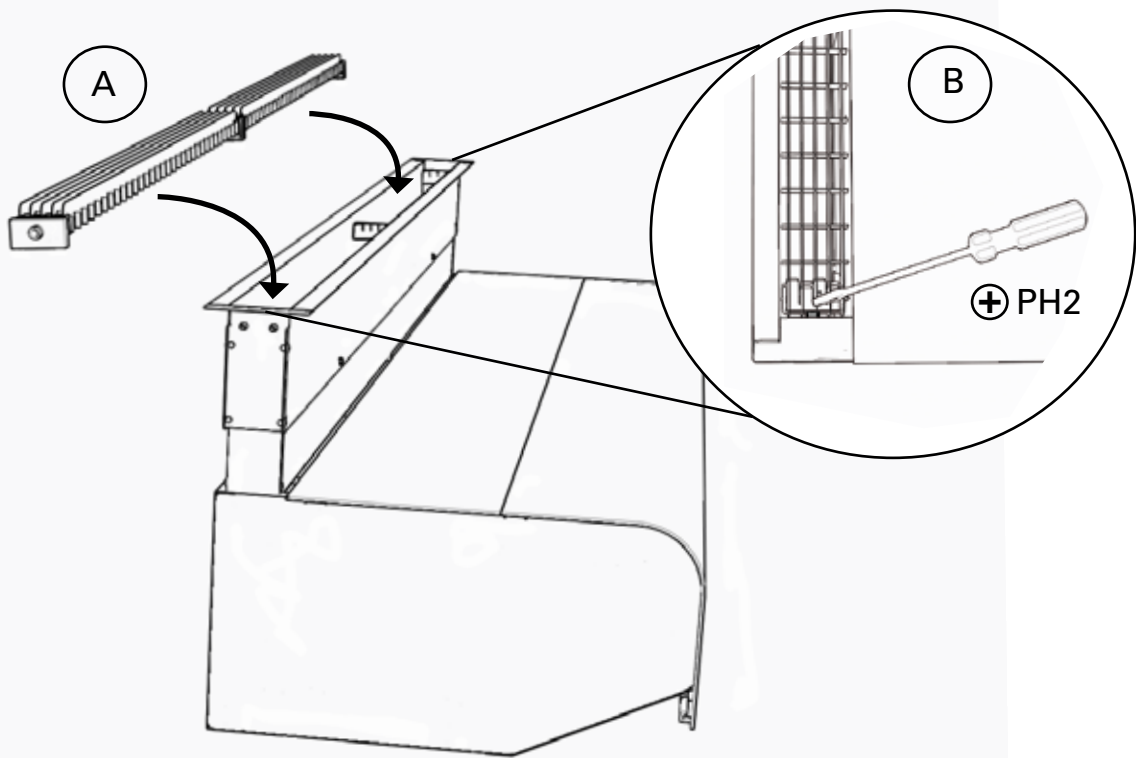
6



7



8



Main office

Frico AB
 Box 102
 SE-433 22 Partille
 Sweden

Tel: +46 31 336 86 00
 Fax: +46 31 26 28 25
 mailbox@frico.se
 www.frico.se

**For latest updated information and information
 about your local contact: www.frico.se**

