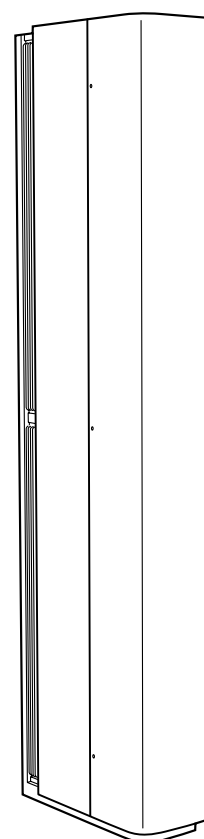
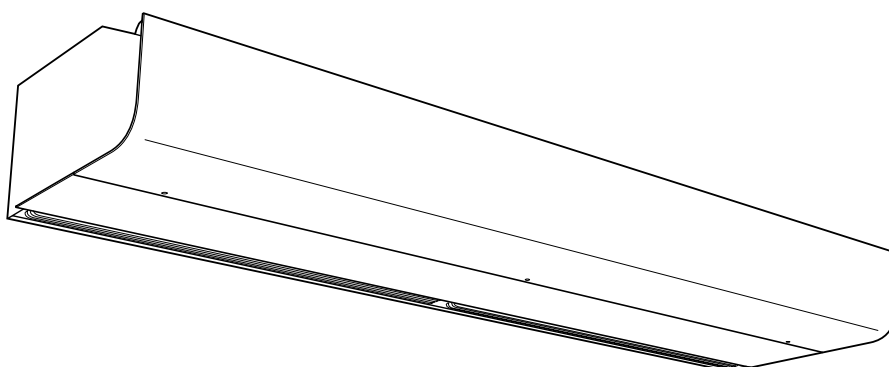


Original instructions
PA3500/4200



SE 27

EN ... 33

NO ... 38

DE ... 44

ES ... 51

FR ... 57

IT ... 64

NL ... 71

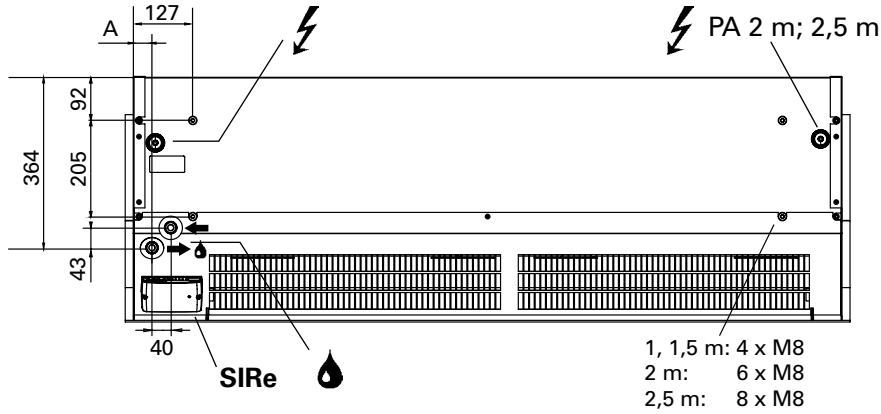
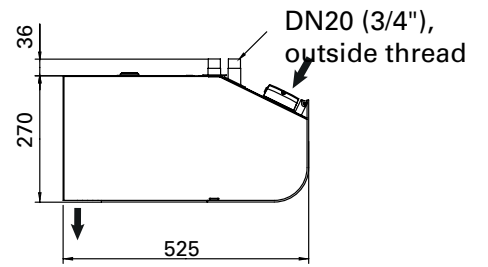
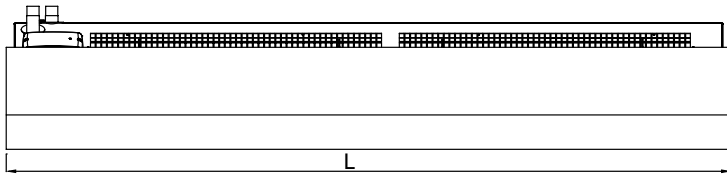
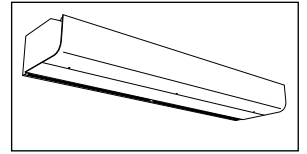
PL ... 78

RU ... 84

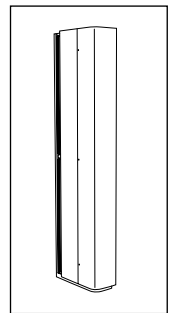
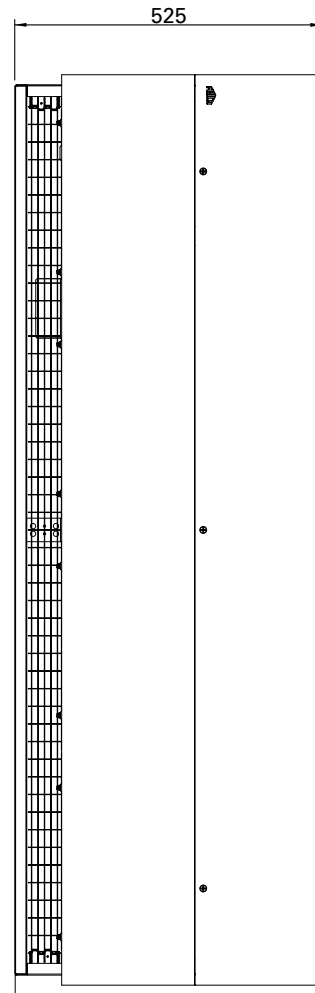
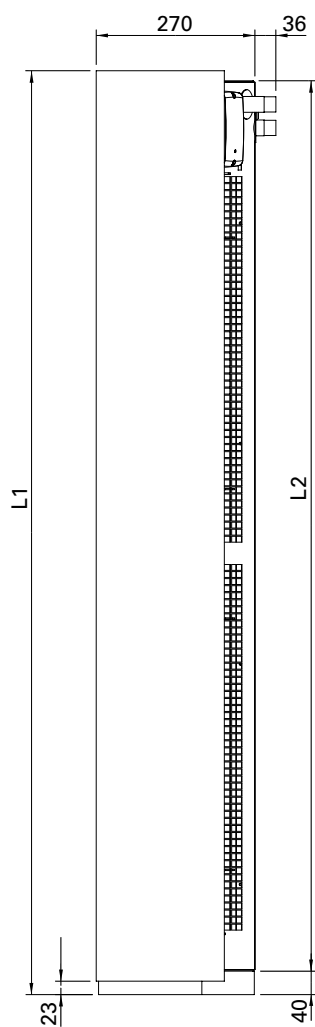
FI ... 90

- SE** Introduktionssidorna består huvudsakligen av bilder. För översättning av de engelska texter som används, se respektive språksidor.
- EN** The introduction pages consist mainly of pictures. For translation of the English texts used, see the respective language pages.
- NO** Introduksjonssidene består hovedsakelig av bilder. For oversettelse av de engelske tekstene, se de respektive språksidene.
- FR** Les pages de présentation contiennent principalement des images. Pour la traduction des textes en anglais, consultez la page correspondante à la langue souhaitée.
- DE** Die Einleitungsseiten bestehen hauptsächlich aus Bildern. Für die Übersetzung der verwendeten Texte in englischer Sprache, siehe die entsprechenden Sprachseiten.
- ES** Las páginas introductorias contienen básicamente imágenes. Consulte la traducción de los textos en inglés que las acompañan en las páginas del idioma correspondiente.
- NL** De inleidende pagina's bevatten hoofdzakelijk afbeeldingen. Voor een vertaling van de gebruikte Engelse teksten, zie de pagina's van de resp. taal.
- IT** Le pagine introduttive contengono prevalentemente immagini. Per le traduzioni dei testi scritti in inglese, vedere le pagine nelle diverse lingue.
- PL** Początkowe strony zawierają głównie rysunki. Tłumaczenie wykorzystanych tekstów angielskich znajduje się na odpowiednich stronach językowych.
- RU** Страницы в начале Инструкции состоят в основном из рисунков, схем и таблиц. Перевод встречающегося там текста приведен в разделе RU.
- FI** Esittelysivut koostuvat lähinnä kuvista. Suvuilla olevien enlanninkielisten sanojen käännökset löytyvät ko. kielisivuilta.

PA3500

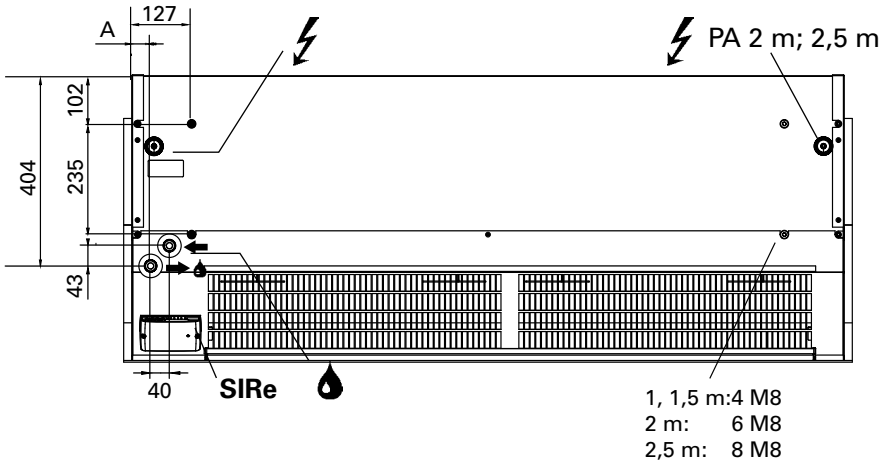
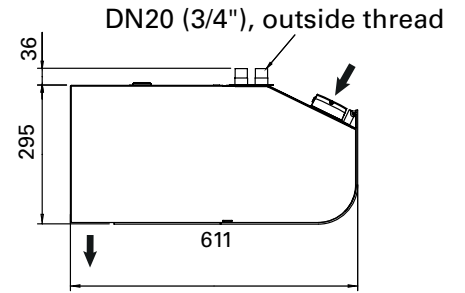
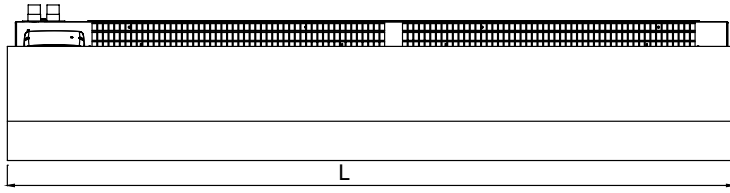
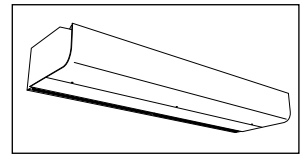


	L [mm]	A [mm]
PA3510	1039	40
PA3515	1549	40
PA3520	2039	40
PA3525	2549	39

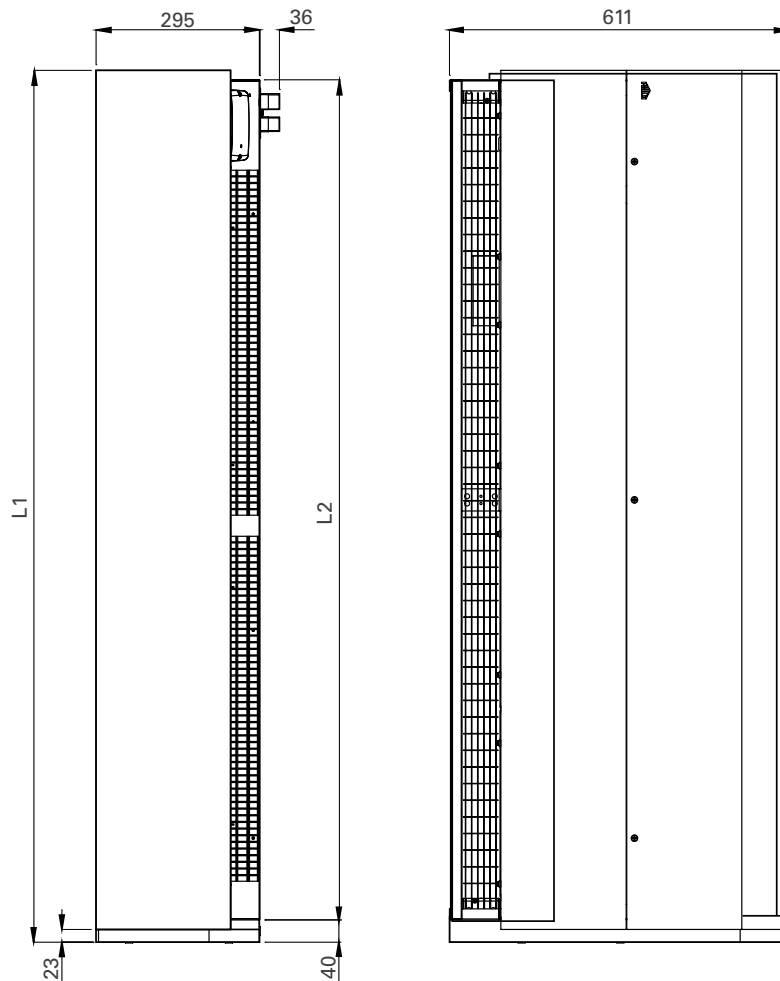


	L1 [mm]	L2 [mm]
PA3515	1572	1515
PA3520	2062	2004
PA3525	2572	2515

PA4200



	L [mm]	A [mm]
PA4210	1039	40
PA4215	1549	40
PA4220	2039	40
PA4225	2549	39



	L1 [mm]	L2 [mm]
PA4215	1572	1515
PA4220	2062	2004
PA4225	2572	2515

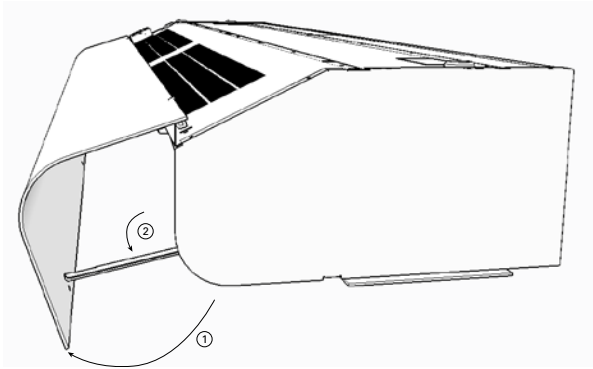


Fig. 1A: Open the unit by raising the front panel. The front is blocked in open position with the front hatch hook.

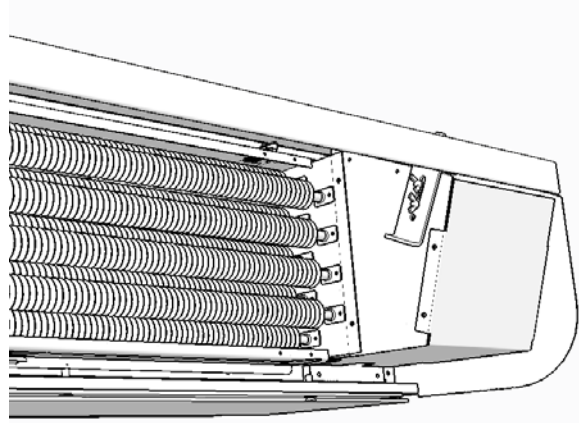


Fig. 1B: When the front has been removed it is important to be sure it is firmly seated in the front locks again.

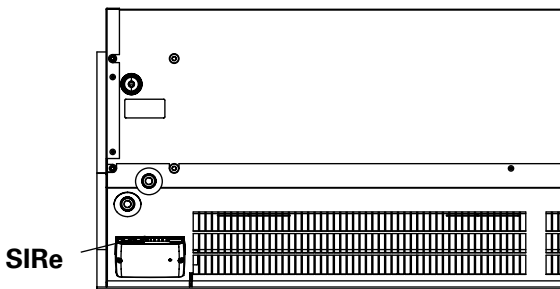


Fig. 2: Control card SIRe is integrated in the air curtain at delivery.

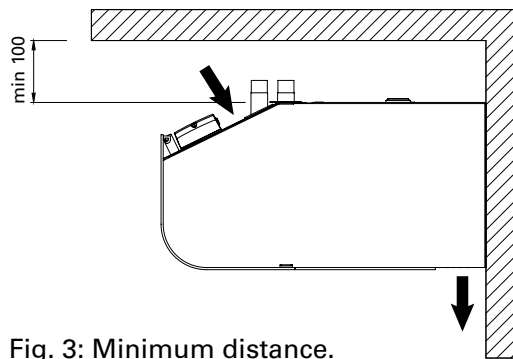


Fig. 3: Minimum distance.

Filling the water coil

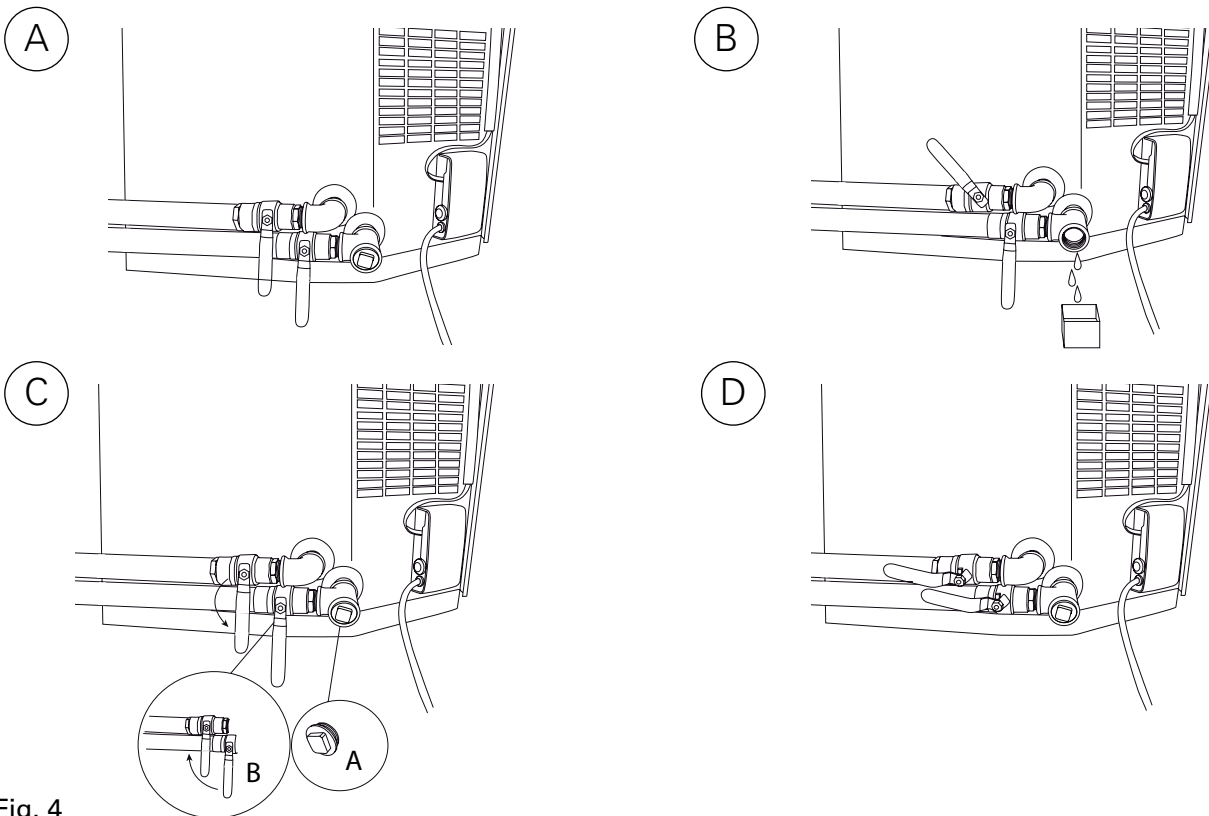
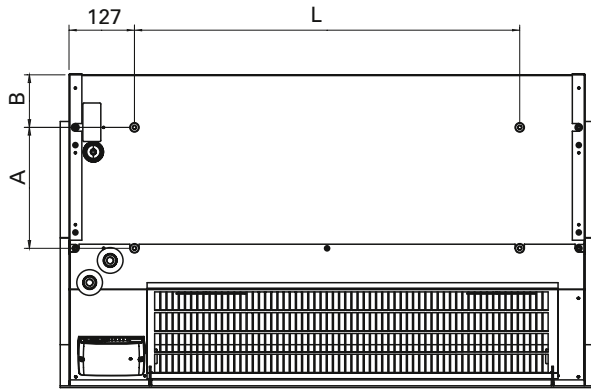


Fig. 4

PA3500/4200

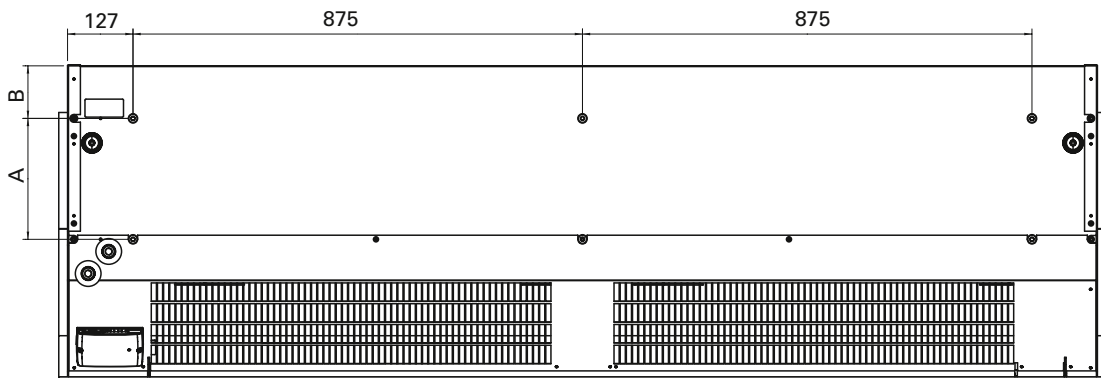
PA3510/PA3515/PA4210/PA4215



	A [mm]	B [mm]
PA3500	205	92
PA4200	235	102

	L [mm]
PA3510	750
PA4210	750
PA3515	1260
PA4215	1260

PA3520/PA4220



PA3525/PA4225

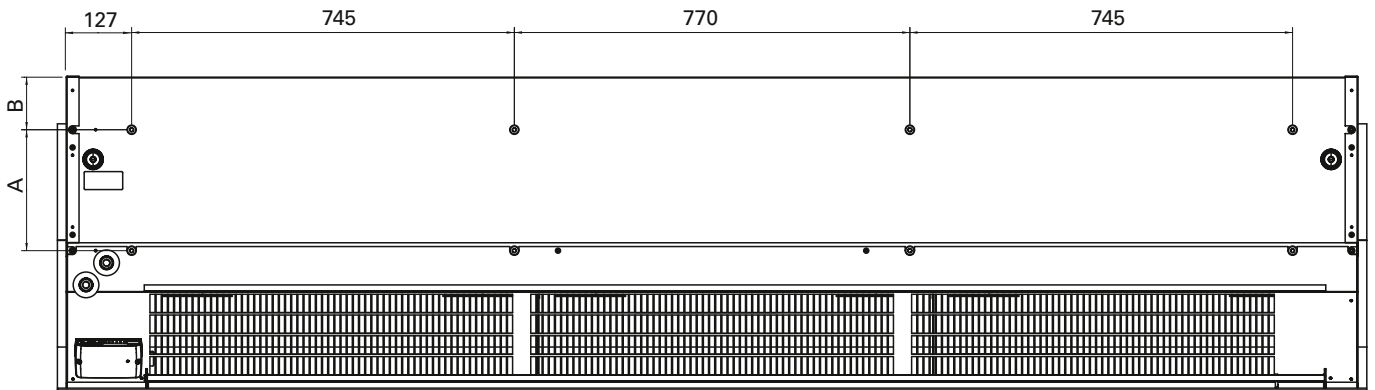


Fig. 5: M8-holes for mounting.

PA3500/4200 + PA34WB

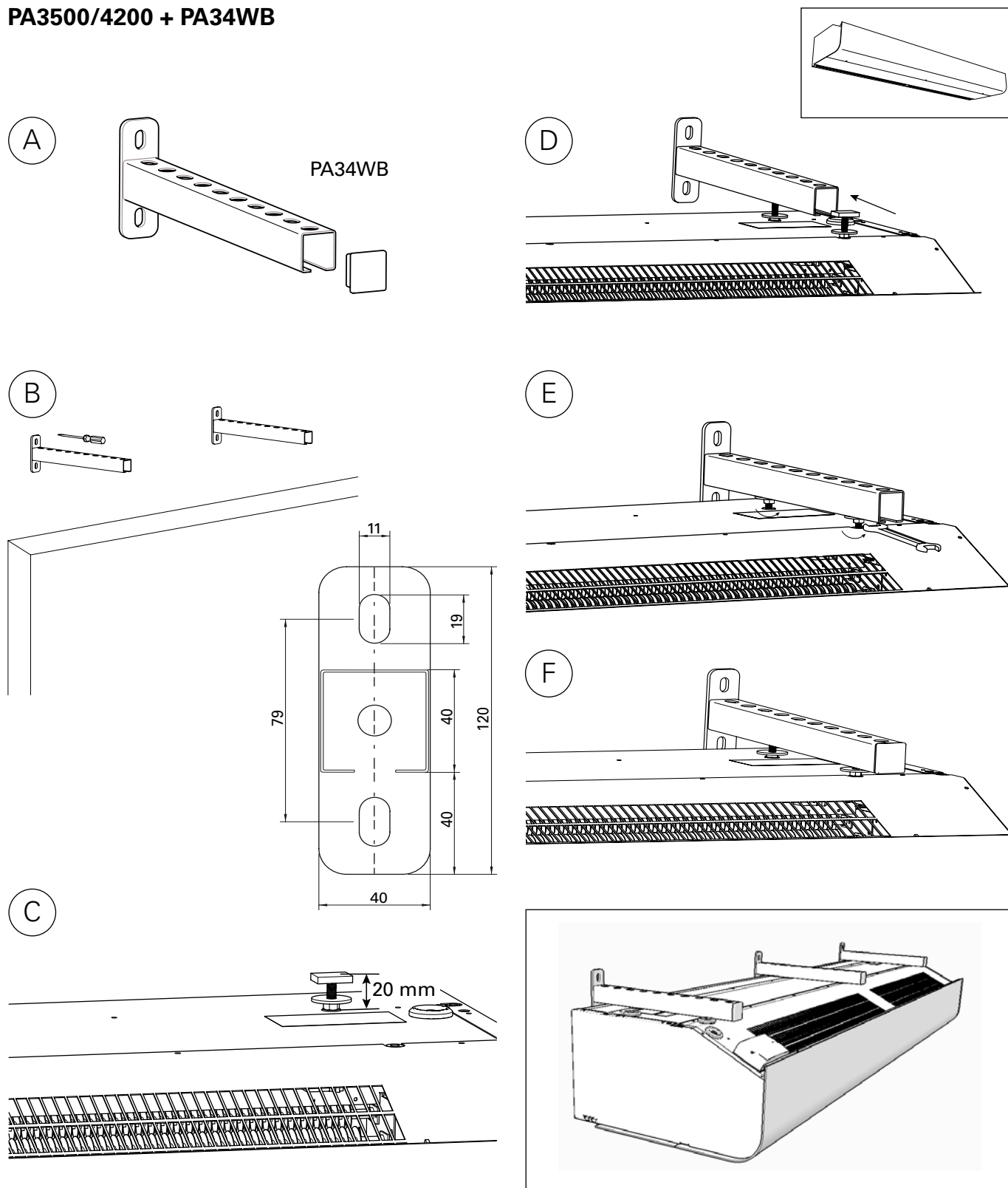


Fig. 6: See separate manual for PA34WB.

Type		Quantity included	Length	Fig.	E-nr (SE)	RSK-nr (SE)	EL-nr (NO)
PA34WB15	PA3510/15, PA4210/15	2 pcs	400 mm	Fig. 6	87 505 68	673 91 18	49 320 82
PA34WB20	PA3520, PA4220	3 pcs	400 mm	Fig. 6	87 505 69	673 91 19	49 320 83
PA34WB30	PA3525, PA4225	4 pcs	400 mm	Fig. 6	87 505 70	673 91 20	49 320 84

Accessories

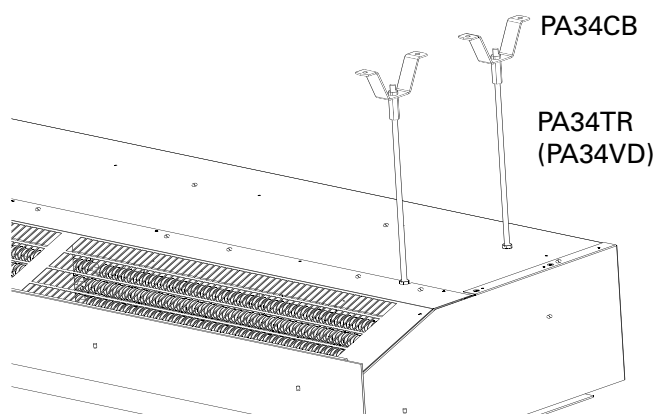


Fig. 7: PA34TR + PA34CB + PA34VD.
See separate manual for PA34TR.

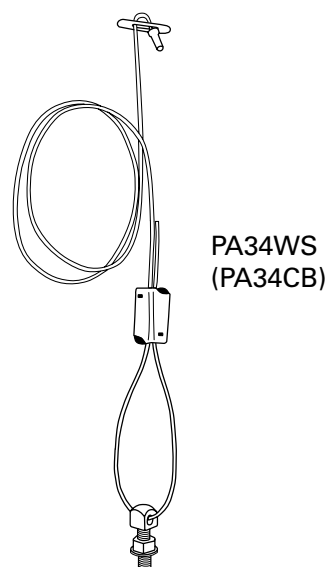
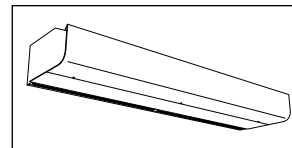


Fig.8: PA34WS + PA34CB
See separate manual for PA34WS.



Type		Quantity included	Length	E-nr (SE)	RSK-nr (SE)	EL-nr (NO)
PA34CB15	PA3510/15, PA4210/15	4 pcs		87 505 71	673 91 21	49 320 59
PA34CB20	PA3520, PA4220	6 pcs		87 505 72	673 91 22	49 320 60
PA34CB30	PA3525, PA4225	8 pcs		87 505 73	673 91 23	49 320 61
PA34WS15	PA3510/15, PA4210/15	4 pcs	3 m	87 505 37	673 90 97	49 322 05
PA34WS20	PA3520, PA4220	6 pcs	3 m	87 505 38	673 90 98	49 322 06
PA34WS30	PA3525, PA4225	8 pcs	3 m	87 505 39	673 90 99	49 322 07
PA34TR15	PA3510/15, PA4210/15	4 pcs	1 m	87 505 32	673 90 94	
PA34TR20	PA3520, PA4220	6 pcs	1 m	87 505 34	673 90 95	
PA34TR30	PA3525, PA4225	8 pcs	1 m	87 505 35	673 90 96	
PA34VD15	PA3510/15, PA4210/15	4 pcs		87 505 74	673 91 24	
PA34VD20	PA3520, PA4220	6 pcs		87 505 75	673 91 25	49 320 96
PA34VD30	PA3525, PA4225	8 pcs		87 505 76	673 91 26	49 320 97

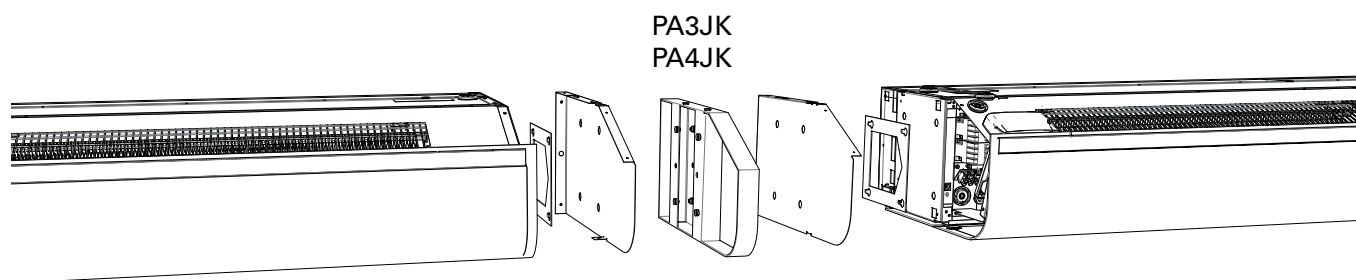


Fig. 9: See separate manual for PA3JK / PA4JK.

Type		E-nr (SE)	RSK-nr (SE)	EL-nr (NO)
PA3JK	PA3500	87 515 22	673 11 96	54 300 07
PA4JK	PA4200	87 515 23	673 11 97	54 300 08

Accessories

Type		Length	E-nr (SE)	RSK-nr (SE)
PA3XT10	PA3510	130-200 mm	87 505 42	673 91 00
PA3XT15	PA3515	130-200 mm	87 505 43	673 91 01
PA3XT20	PA3520	130-200 mm	87 505 44	673 91 02
PA3XT25	PA3525	130-200 mm	87 505 45	673 91 03
PA4XT10	PA4210	130-200 mm	87 505 46	673 91 04
PA4XT15	PA4215	130-200 mm	87 505 47	673 91 05
PA4XT20	PA4220	130-200 mm	87 505 48	673 91 06
PA4XT25	PA4225	130-200 mm	87 505 49	673 91 07

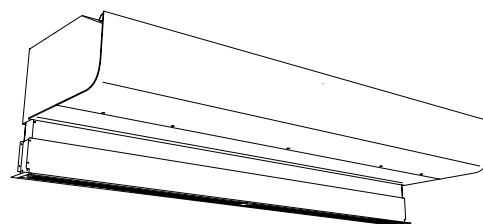
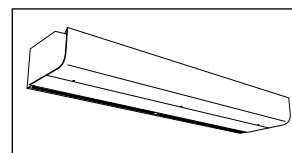
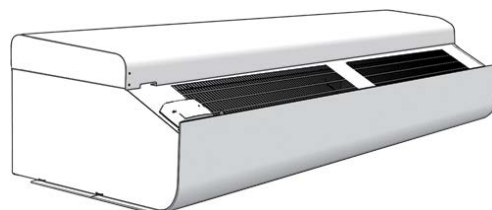


Fig. 10: See separate manual for PA3XT / PA4XT.

Type		Dimensions	E-nr (SE)	RSK-nr (SE)
PA3DW10	PA3510	87x382x1006 mm	87 505 77	673 91 27
PA3DW15	PA3515	87x382x1516 mm	87 505 78	673 91 28
PA3DW20	PA3520	87x382x2006 mm	87 505 79	673 91 29
PA3DW25	PA3525	87x382x2516 mm	87 505 80	673 91 30
PA4DW10	PA4210	87x424x1006 mm	87 505 81	673 91 31
PA4DW15	PA425	87x424x1516 mm	87 505 82	673 91 32
PA4DW20	PA4220	87x424x2006 mm	87 505 83	673 91 33
PA4DW25	PA4225	87x424x2516 mm	87 505 84	673 91 34



PA3DW
PA4DW

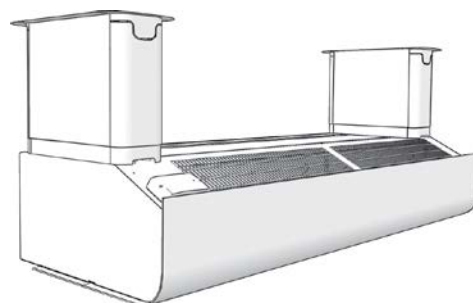


See separate manual for PA3DW/
PA4DW.

Type		Length	E-nr (SE)	RSK-nr (SE)
PA3DCS	PA3500	200-300 mm	87 505 60	673 91 08
PA3DCM	PA3500	300-500 mm	87 505 61	673 91 09
PA3DCL	PA3500	500-900 mm	87 505 62	673 91 10
PA3DXT	PA3500	420 mm	87 505 63	673 91 11
PA4DCS	PA4200	200-300 mm	87 505 64	673 91 12
PA4DCM	PA4200	300-500 mm	87 505 65	673 91 13
PA4DCL	PA4200	500-900 mm	87 505 66	673 91 14
PA4DXT	PA4200	420 mm	87 505 67	673 91 15



PA3DC
PA4DC



See separate manual for PA3DC /
PA4DC.

PA3510, PA4210: 2 pcs
 PA3515, PA4215: 2 pcs
 PA3520, PA4220: 3 pcs
 PA3525, PA4225: 4 pcs

Accessories

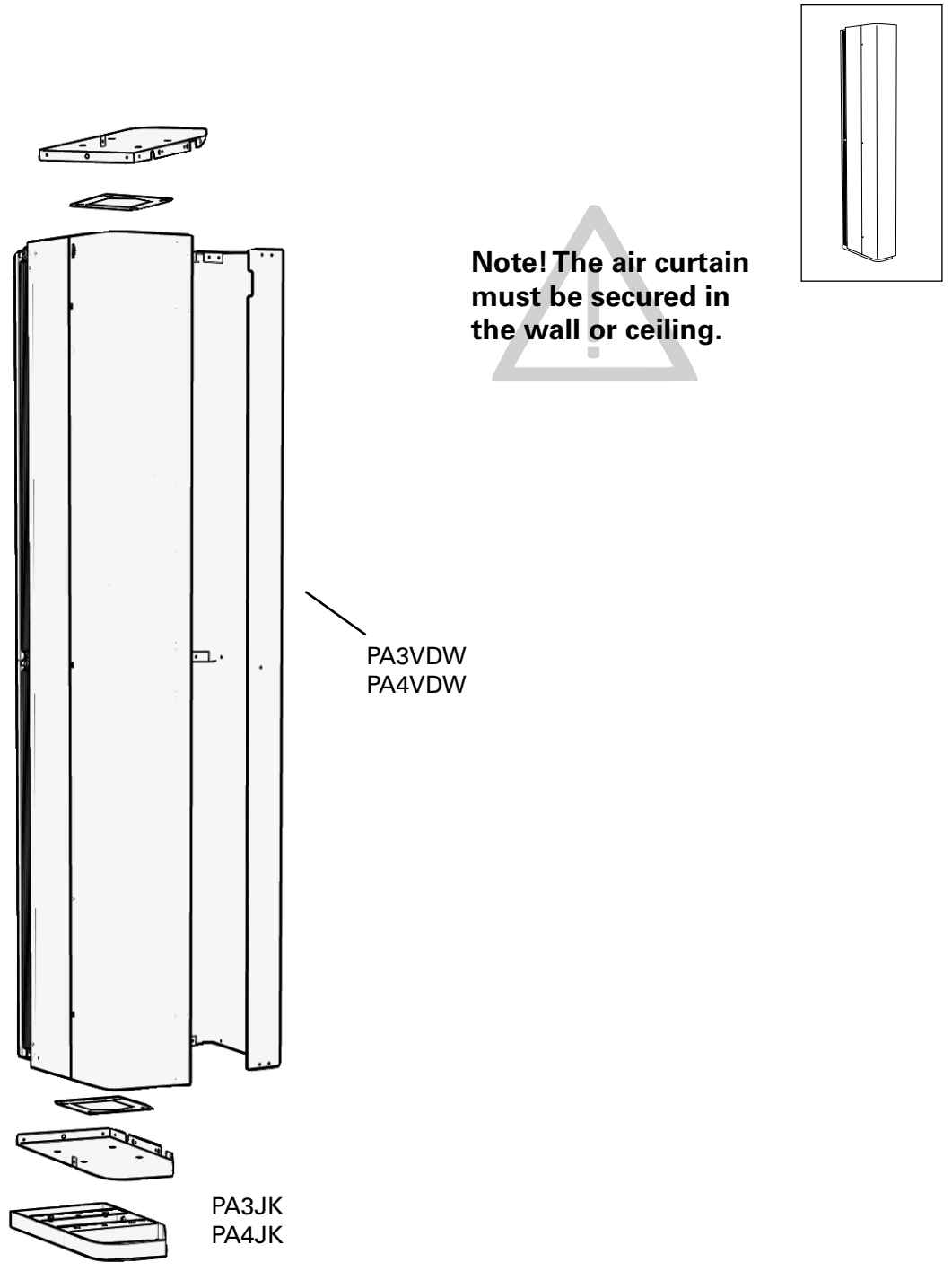
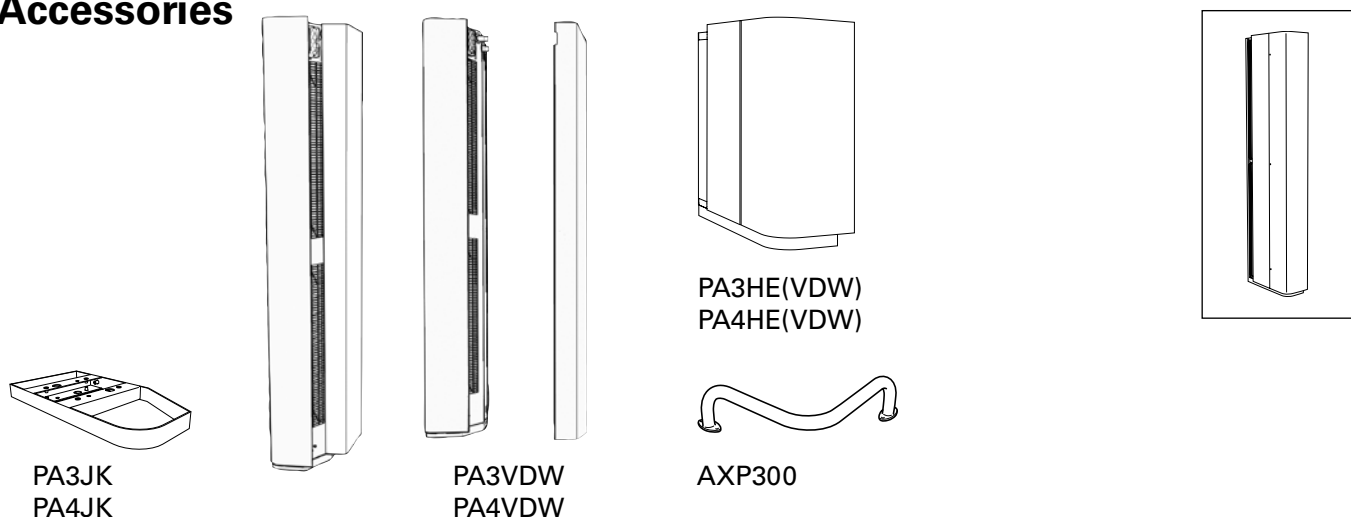
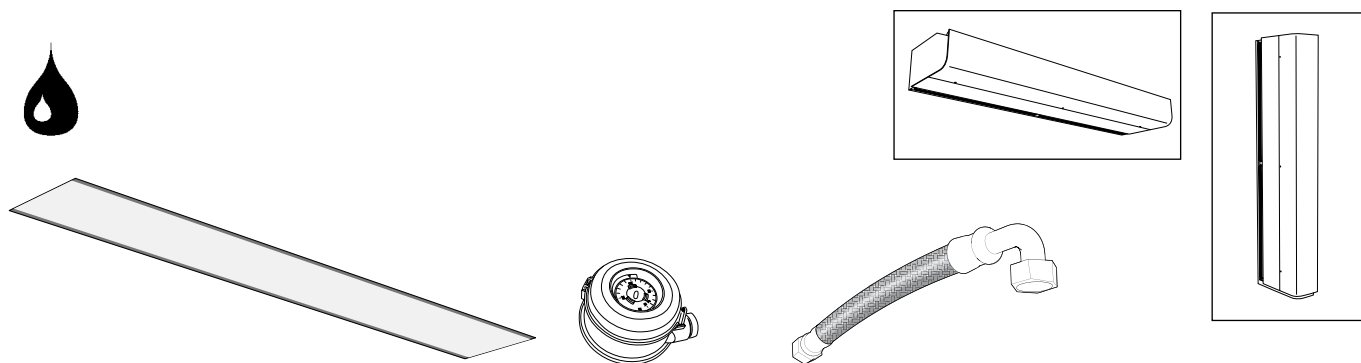


Fig. 11: See separate manual for PA3JK / PA4JK.

Accessories



Type		E-nr (SE)	RSK-nr (SE)	EL-nr (NO)	NRF-nr (NO)
PA3JK	PA3500	87 515 22	673 11 96	54 300 07	85 023 71
PA4JK	PA4200	87 515 23	673 11 97	54 300 08	85 023 72
PA3VDW15	PA3515	87 515 16	673 20 83	54 300 01	
PA3VDW20	PA3520	87 515 17	673 20 84	54 300 02	
PA3VDW25	PA3525	87 515 18	673 20 85	54 300 03	
PA4VDW15	PA4215	87 515 19	673 20 86	54 300 04	
PA4VDW20	PA4220	87 515 20	673 20 87	54 300 05	
PA4VDW25	PA4225	87 515 21	673 20 88	54 300 05	
PA3HE	PA3500				
PA4HE	PA4200				
PA3HEVDW	PA3500				
PA4HEVDW	PA4200				
AXP300	PA3500/4200	87 514 87	672 69 77		



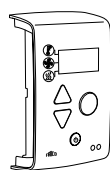
See separate manual for PA34EF.

DTV200S

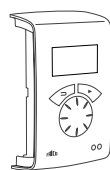
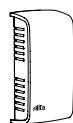
See separate manual for FHDN20.

Type		Length	RSK-nr (SE)
PA34EF10	PA3510W, PA4210W		673 20 95
PA34EF15	PA3515W, PA425W		673 20 96
PA34EF20	PA3520W, PA4220W		673 20 97
PA34EF25	PA3525W, PA4225W		673 20 98
DTV200S	PA3500/4200W		673 91 16
FHDN20	PA3500/4200W	350 mm	673 91 17
FHDN2010	PA3500/4200W	1000 mm	670 45 65

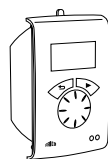
Accessories



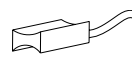
SIReBN

SIReACY
SIReAAY

SIReRTX



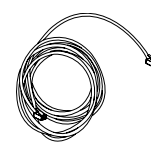
SIReUR



SIReWTA



SIReCJ4/SIReCJ6



SIReCC

Type	E-nr (SE)	RSK-nr (SE)	EL-nr (NO)	NRF-nr (NO)	Dimensions	Length
SIReBN	87 506 57	673 19 43	54 090 04	85 025 82		
SIReACY	87 506 61	673 21 00	54 090 08	85 025 85		
SIReAAY	87 506 62	673 24 06	54 090 09	85 025 86		
SIReRTX	87 510 12	673 09 22	54 910 01	85 022 94	70x33x23 mm	
SIReUR	87 510 11	673 09 21	49 325 00	85 022 93	114x70x50 mm	
SIReWTA		673 09 69				
SIReCJ4	87 510 33	673 09 70	54 910 02			
SIReCJ6	87 510 34	673 09 71		85 025 24		
SIReCC603	87 510 13	673 09 23	54 329 01	85 022 95		3 m
SIReCC605	87 510 14	673 09 24	54 329 02	85 022 96		5 m
SIReCC610	87 510 15	673 09 25	54 329 03	85 022 97		10 m
SIReCC615	87 510 16	673 09 26	54 329 04	85 022 98		15 m
SIReCC640	87 510 45	673 18 79				40 m
SIReCC403	87 510 17	673 09 27	54 329 05	85 022 99		3 m
SIReCC405	87 510 18	673 09 28	54 329 06	85 023 01		5 m
SIReCC410	87 510 19	673 09 29	54 329 07	85 023 02		10 m
SIReCC415	87 510 20	673 09 30	54 329 08	85 023 03		15 m



Type	RSK-nr (SE)	NRF-nr (NO)	Connection
VLSP15LF	670 45 35		DN15
VLSP15NF	670 45 36	85 026 36	DN15
VLSP20	670 45 37	85 026 37	DN20
VLSP25	670 45 38	85 026 38	DN25
VLSP32	670 45 39	85 026 39	DN32
VLP15LF	670 45 30	67 309 47	DN15
VLP15NF	670 45 31	85 026 31	DN15
VLP20	670 45 32	85 026 32	DN20
VLP25	670 45 33	85 026 33	DN25
VLP32	670 45 34	85 026 34	DN32
VOT15	673 61 93	85 024 05	DN15
VOT20	673 61 94	85 024 06	DN20
VOT25	673 61 95	85 024 07	DN25
VMT15			DN15
VMT20			DN20
VMT25			DN25

VLSP

VKF



SD230



BPV10

VLP

VKF



SDM24



ST23024

VOT



TRVS



SD230

VMT



TRVS

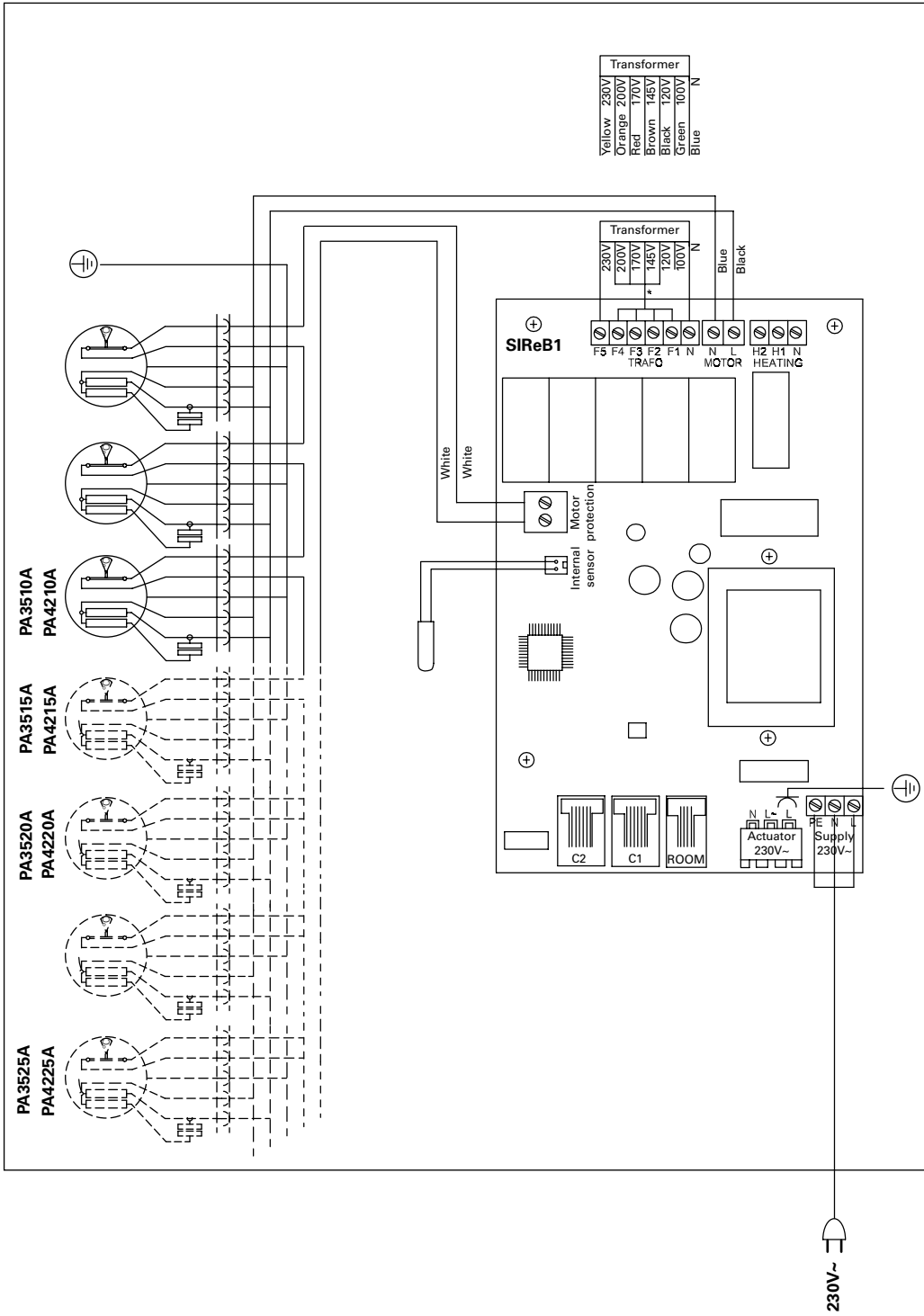


SDM24

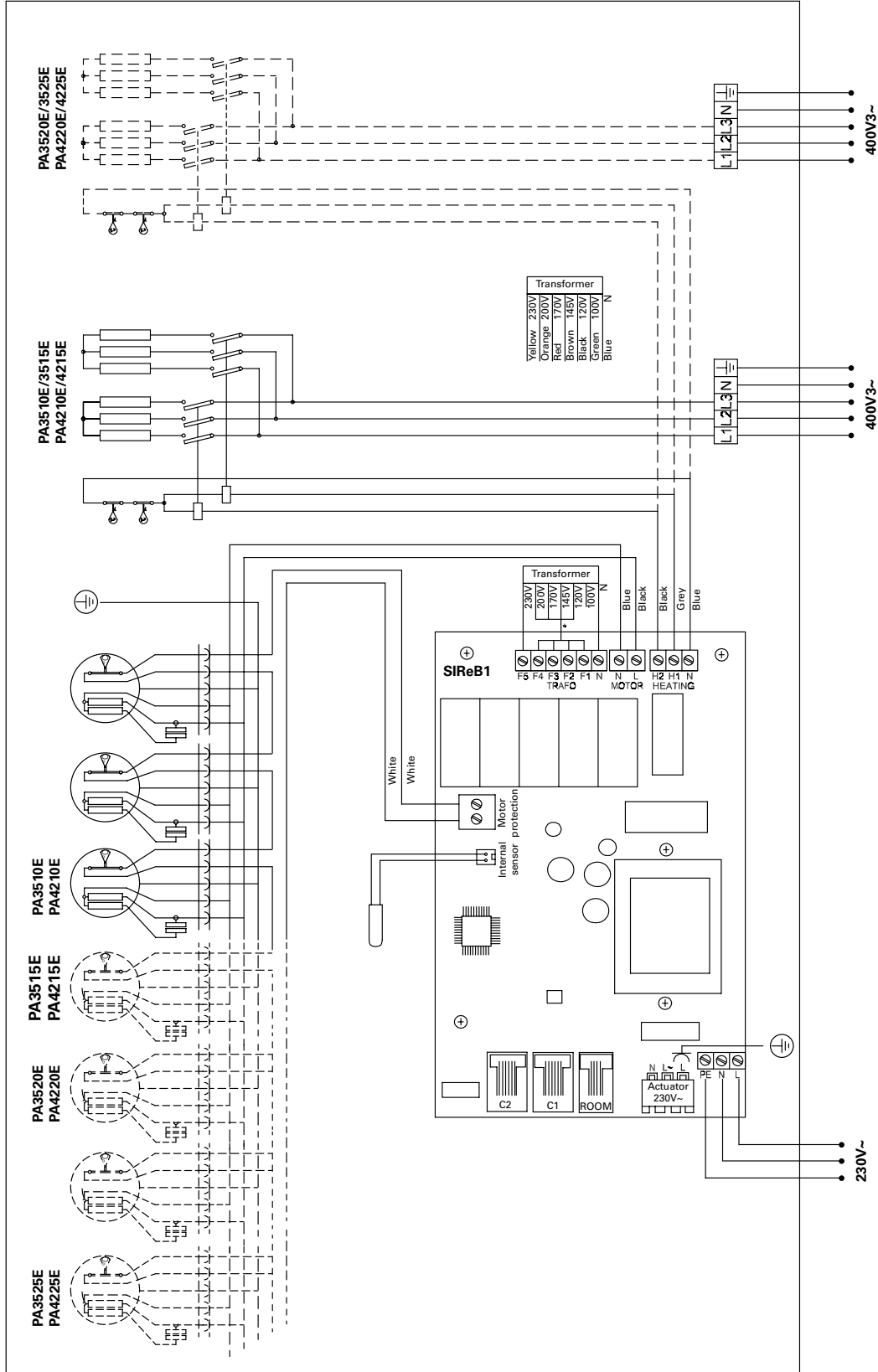


ST23024

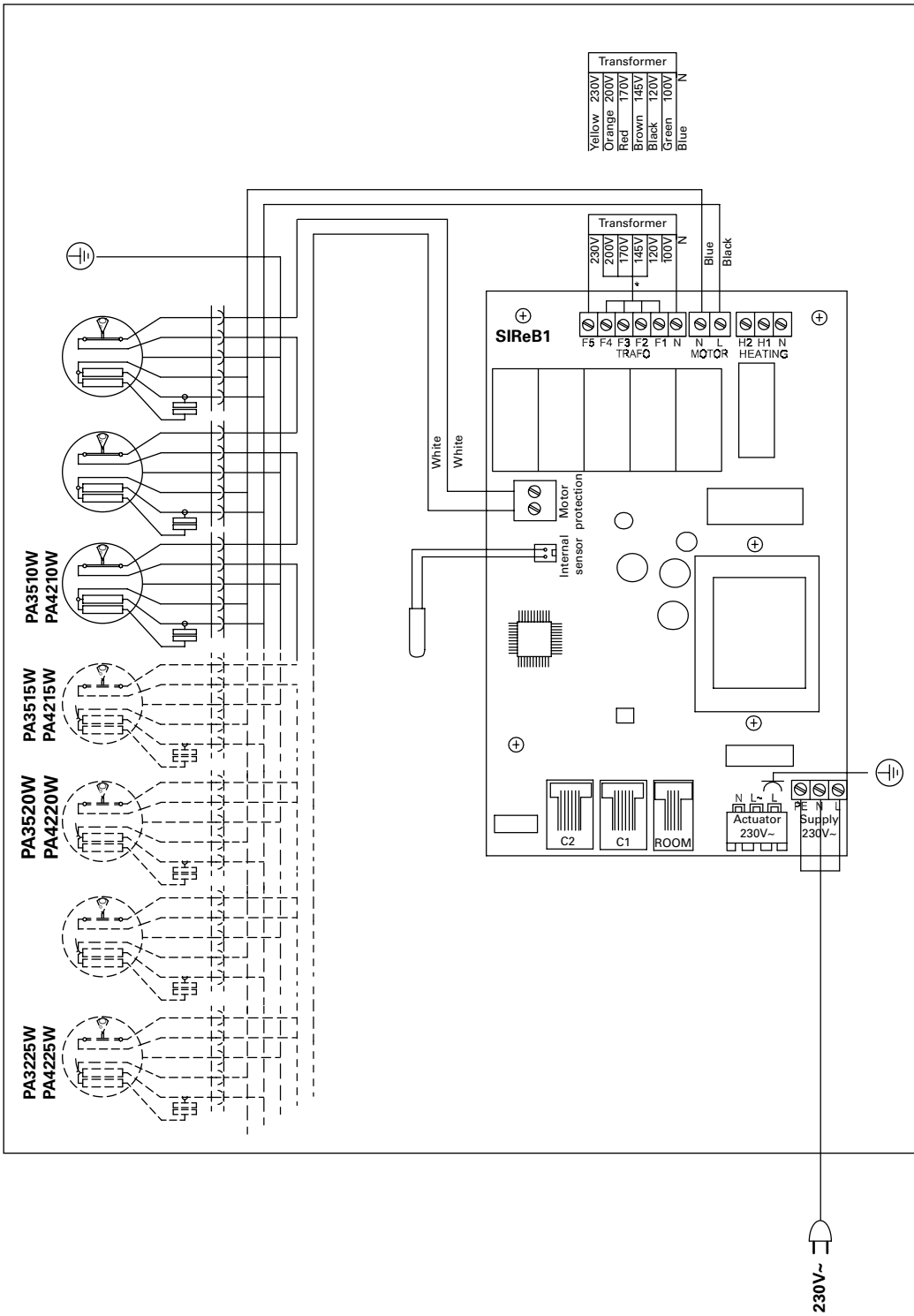
PA3500 A
PA4200 A



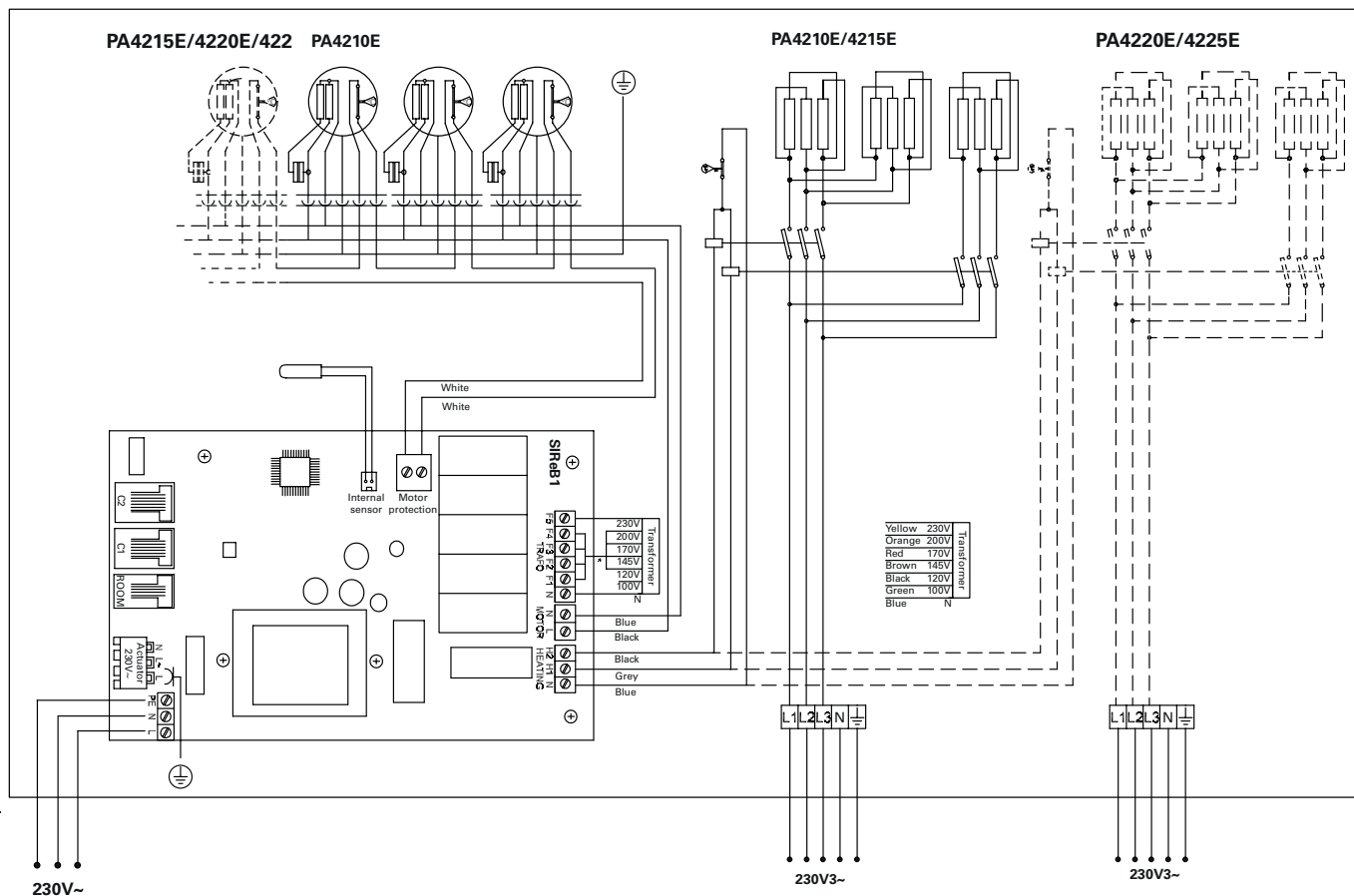
PA3500 E
PA4200 E



PA3500 W
PA4200 W



PA3500 E 230V3~
PA4200 E 230V3~



Type	Output step [kW]	Airflow*1 [m³/h]	Δt*3 [°C]	Sound level*2 [dB(A)]	Motor [W]	Voltage motor [V]	Amp. motor [A]	Voltage [V] Amperage [A] (heat)	Length [mm]	Weight [kg]
PA3510E08D	2,7/5,4/8,1	900/2000	27/12	41/61	580	230V~	2,6	230V3~/20,3	1039	44
PA3515E12D	3,9/7,8/12	1400/3100	26/12	42/62	880	230V~	3,9	230V3~/29,3	1549	63
PA3520E16D	5,4/11/16	1750/4000	28/12	43/63	1130	230V~	5,0	230V3~/40,5	2039	80
PA3525E20D	6,6/13/20	2400/5250	25/11,5	44/64	1500	230V~	6,5	230V3~/49,5	2549	104

Type	Output step [kW]	Airflow*1 [m³/h]	Δt*3 [°C]	Sound level*2 [dB(A)]	Motor [W]	Voltage motor [V]	Amp. motor [A]	Voltage [V] Amperage [A] (heat)	Length [mm]	Weight [kg]
PA4210E12D	3,9/7,8/12	950/2400	38/15	46/66	920	230V~	4,0	230V3~/30	1039	50
PA4215E18D	6,0/12/18	1300/3500	42/16	47/67	1260	230V~	5,5	230V3~/45	1549	71
PA4220E24D	7,8/15/23	1900/4800	37/14	48/68	1840	230V~	8,0	230V3~/60	2039	94
PA4225E30D	9,9/20/30	2300/5900	39/15	49/69	2140	230V~	9,3	230V3~/75	2549	113

*1) Lowest/highest airflow of totally 5 fan steps.

*2) Conditions: Distance to the unit 5 metres. Directional factor: 2. Equivalent absorption area: 200 m².

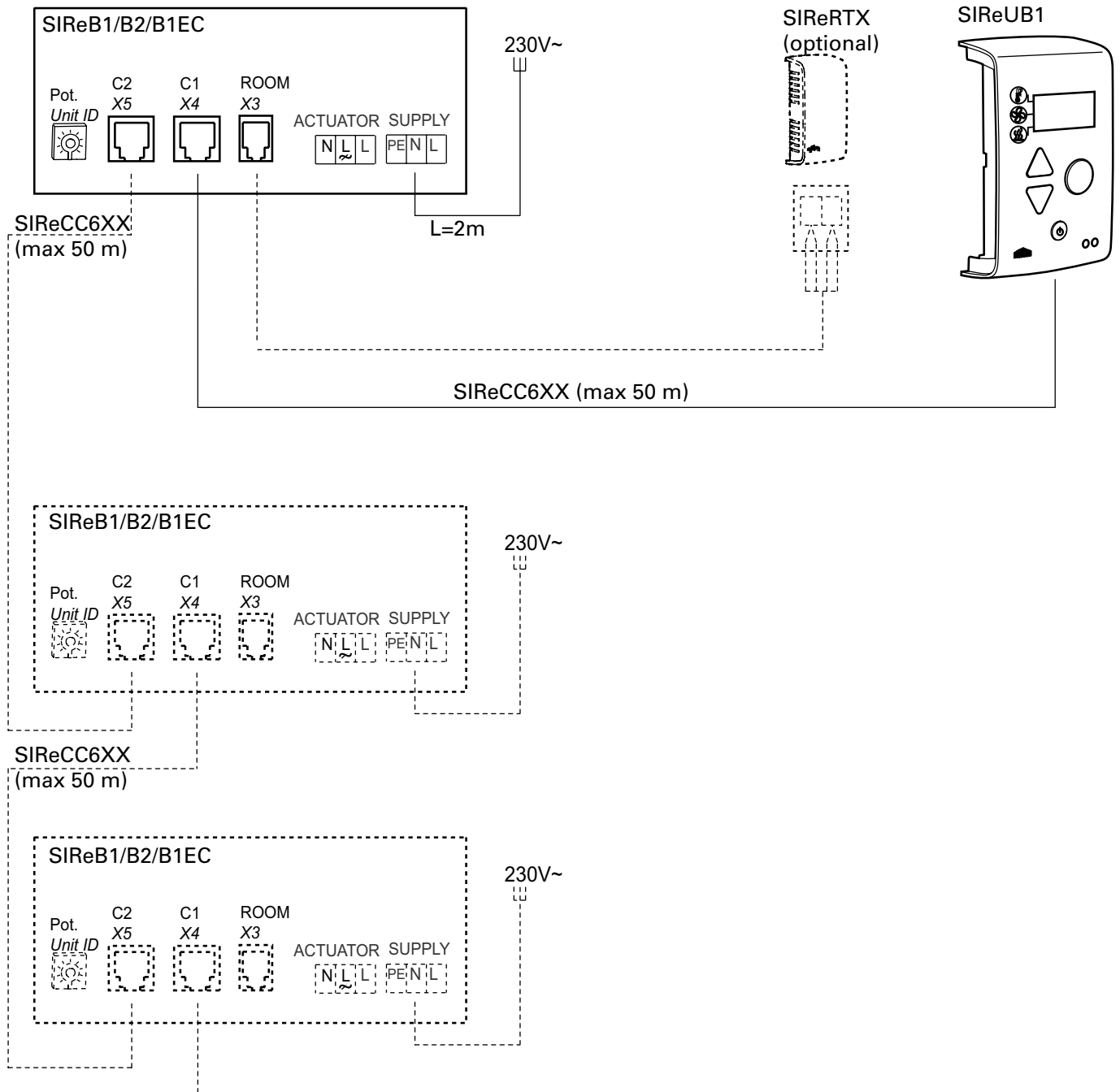
*3) Δt = temperature rise of passing air at maximum heat output and lowest/highest airflow.

Protection class for units with electrical heating: IP20.

CE compliant.

SIReB Basic

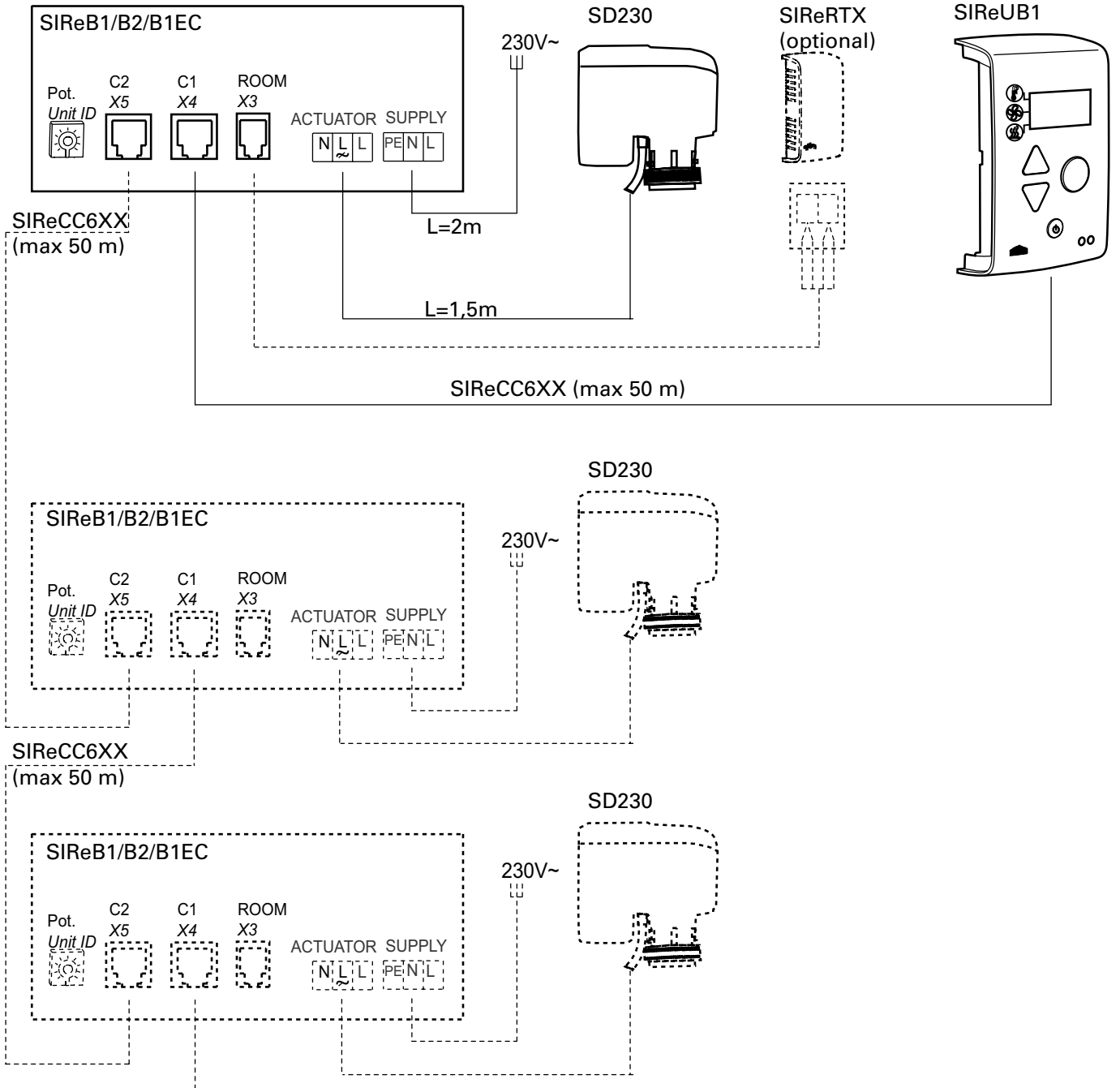
PA3500/4200 A
PA3500/4200 E



Wiring diagrams for SIReAC Competent, see manual for SIRe.

SIReB Basic

PA3500/4200 W



Wiring diagrams for SIReAC Competent and SIReAA Advanced, see manuals for SIRe.

Technical specifications PA3500

Voltage motor: 230V~

✦ Ambient, no heat - PA3500 A

Type	Output [kW]	Airflow* ¹ [m ³ /h]	Sound power* ² [dB(A)]	Sound pressure* ³ [dB(A)]	Motor [W]	Voltage motor [V]	Amperage motor [A]	Length [mm]	Weight [kg]
PA3510A	0	900/2000	78	41/61	580	230V~	2,6	1039	36
PA3515A	0	1400/3100	79	42/62	880	230V~	3,9	1549	50
PA3520A	0	1750/4000	79	43/63	1130	230V~	5,0	2039	65
PA3525A	0	2400/5250	80	44/64	1500	230V~	6,5	2549	79

ℓ Electrical heat - PA3500 E

Type	Output step [kW]	Airflow* ¹ [m ³ /h]	Δt * ⁴ [°C]	Sound power* ² [dB(A)]	Sound pressure* ³ [dB(A)]	Motor [W]	Amperage motor [A]	Voltage [V] Amperage [A] (heat)	Length [mm]	Weight [kg]
PA3510E08	2,7/5,4/8,1	900/2000	27/12	78	41/61	580	2,6	400V3~/11,7	1039	44
PA3515E12	3,9/7,8/12	1400/3100	26/12	79	42/62	880	3,9	400V3~/16,9	1549	63
PA3520E16	5,4/11/16	1750/4000	28/12	80	43/63	1130	5,0	400V3~/23,4	2039	80
PA3525E20	6,6/13/20	2400/5250	25/11,5	81	44/64	1500	6,5	400V3~/28,6	2549	104

♠ Water heat - PA3500 WL

Type	Output* ⁵ [kW]	Airflow* ¹ [m ³ /h]	Δt * ^{4,5} [°C]	Water volume [l]	Sound power* ² [dB(A)]	Sound pressure* ³ [dB(A)]	Motor [W]	Amperage motor [A]	Length [mm]	Weight [kg]
PA3510WL	12	950/1900	23/19	1,5	76	43/60	540	2,35	1039	43
PA3515WL	19	1350/2900	25/20	2,4	77	44/61	770	3,4	1549	60
PA3520WL	26	1800/3900	25/20	3,3	78	45/62	970	4,3	2039	75
PA3525WL	35	2300/5100	25/20	4,2	79	46/63	1310	5,7	2549	95

♠ Water heat - PA3500 WH

Type	Output* ⁶ [kW]	Airflow* ¹ [m ³ /h]	Δt * ^{4,6} [°C]	Water volume [l]	Sound power* ² [dB(A)]	Sound pressure* ³ [dB(A)]	Motor [W]	Amperage motor [A]	Length [mm]	Weight [kg]
PA3510WH	10	950/1900	21/16	1,0	76	43/60	540	2,35	1039	42
PA3515WH	16	1350/2900	22/17	1,6	77	44/61	770	3,4	1549	58
PA3520WH	23	1800/3900	23/17	2,2	78	45/62	970	4,3	2039	73
PA3525WH	29	2300/5100	23/17	2,9	79	46/63	1310	5,7	2549	92

♠ Water heat - PA3500 WLL

Type	Output* ⁷ [kW]	Airflow* ¹ [m ³ /h]	Δt * ^{4,7} [°C]	Water volume [l]	Sound power* ² [dB(A)]	Sound pressure* ³ [dB(A)]	Motor [W]	Amperage motor [A]	Length [mm]	Weight [kg]
PA3510WLL	7,6	900/1850	14/12	2,0	75	43/60	460	2,0	1039	44
PA3515WLL	11	1300/2750	14/12	4,1	76	44/61	740	3,25	1549	63
PA3520WLL	16	1700/3700	15/13	5,6	77	45/62	920	4,0	2039	78
PA3525WLL	21	2250/4900	15/13	8,3	78	46/63	1280	5,6	2549	100

*1) Lowest/highest airflow of totally 5 fan steps.

*2) Sound power (L_{WA}) measurements according to ISO 27327-2: 2014, Installation type E.

*3) Sound pressure (L_{pA}). Conditions: Distance to the unit 5 metres. Directional factor: 2. Equivalent absorption area: 200 m². At lowest/highest airflow.

*4) Δt = temperature rise of passing air at maximum heat output and lowest/highest airflow.

*5) Applicable at water temperature 60/40 °C, air temperature, in +18 °C.

*6) Applicable at water temperature 80/60 °C, air temperature, in +18 °C.

*7) Applicable at water temperature 40/30 °C, air temperature, in +18 °C.

Protection class for units with electrical heating: IP20.

Protection class for units without heating and units with water heating: IP21.

CE compliant.

Technical specifications PA4200

Voltage motor: 230V~

✦ Ambient, no heat - PA4200 A

Type	Output [kW]	Airflow* ¹ [m ³ /h]	Sound power* ² [dB(A)]	Sound pressure* ³ [dB(A)]	Motor [W]	Voltage motor [V]	Amperage motor [A]	Length [mm]	Weight [kg]
PA4210A	0	950/2400	82	46/66	920	230V~	4,0	1039	43
PA4215A	0	1300/3500	83	47/67	1260	230V~	5,5	1549	56
PA4220A	0	1900/4800	84	48/68	1840	230V~	8,0	2039	75
PA4225A	0	2300/5900	85	49/69	2140	230V~	9,3	2549	91

⚡ Electrical heat - PA4200 E

Type	Output step [kW]	Airflow* ¹ [m ³ /h]	Δt * ⁴ [°C]	Sound power* ² [dB(A)]	Sound pressure* ³ [dB(A)]	Motor [W]	Amperage motor [A]	Voltage [V] Amperage [A] (heat)	Length [mm]	Weight [kg]
PA4210E12	3,9/7,8/12	950/2400	38/15	82	46/66	920	4,0	400V3~/16,9	1039	50
PA4215E18	6,0/12/18	1300/3500	42/16	83	47/67	1260	5,5	400V3~/26,0	1549	71
PA4220E24	7,8/15/23	1900/4800	37/14	84	48/68	1840	8,0	400V3~/33,8	2039	94
PA4225E30	9,9/20/30	2300/5900	39/15	85	49/69	2140	9,3	400V3~/42,9	2549	113

💧 Water heat - PA4200 WL

Type	Output* ⁵ [kW]	Airflow* ¹ [m ³ /h]	Δt * ^{4,5} [°C]	Water volume [l]	Sound power* ² [dB(A)]	Sound pressure* ³ [dB(A)]	Motor [W]	Amperage motor [A]	Length [mm]	Weight [kg]
PA4210WL	16	1050/2600	25/18	1,9	80	44/64	920	4,0	1039	50
PA4215WL	25	1600/3800	25/19	3,0	81	45/65	1330	5,8	1549	67
PA4220WL	35	2200/5300	25/19	4,1	82	46/66	1930	8,4	2039	90
PA4225WL	44	2800/6400	26/20	5,2	83	47/67	2280	9,9	2549	109

💧 Water heat - PA4200 WH

Type	Output* ⁶ [kW]	Airflow* ¹ [m ³ /h]	Δt * ^{4,6} [°C]	Water volume [l]	Sound power* ² [dB(A)]	Sound pressure* ³ [dB(A)]	Motor [W]	Amperage motor [A]	Length [mm]	Weight [kg]
PA4210WH	14	1050/2600	22/16	1,3	80	44/64	920	4,0	1039	49
PA4215WH	21	1600/3800	22/16	2,0	81	45/65	1330	5,8	1549	65
PA4220WH	30	2200/5300	23/17	2,7	82	46/66	1930	8,4	2039	87
PA4225WH	36	2800/6400	22/16	3,8	83	47/67	2280	9,9	2549	105

💧 Water heat - PA4200 WLL

Type	Output* ⁷ [kW]	Airflow* ¹ [m ³ /h]	Δt * ^{4,7} [°C]	Water volume [l]	Sound power* ² [dB(A)]	Sound pressure* ³ [dB(A)]	Motor [W]	Amperage motor [A]	Length [mm]	Weight [kg]
PA4210WLL	10	1000/2500	15/12	2,5	80	44/64	920	4,0	1039	52
PA4215WLL	15	1500/3600	15/13	4,7	81	45/65	1330	5,8	1549	70
PA4220WLL	21	2100/5200	15/12	7,5	82	46/66	1930	8,4	2039	95
PA4225WLL	26	2700/6200	15/12	9,6	83	47/67	2280	9,9	2549	115

*¹) Lowest/highest airflow of totally 5 fan steps.

*²) Sound power (L_{WA}) measurements according to ISO 27327-2: 2014, Installation type E.

*³) Sound pressure (L_{pA}). Conditions: Distance to the unit 5 metres. Directional factor: 2. Equivalent absorption area: 200 m². At lowest/highest airflow.

*⁴) Δt = temperature rise of passing air at maximum heat output and lowest/highest airflow.

*⁵) Applicable at water temperature 60/40 °C, air temperature, in +18 °C.

*⁶) Applicable at water temperature 80/60 °C, air temperature, in +18 °C.

*⁷) Applicable at water temperature 40/30 °C, air temperature, in +18 °C.

Protection class for units with electrical heating: IP20.

Protection class for units without heating and units with water heating: IP21.

CE compliant.

Output charts water PA3500 WH

			Supply water temperature: 110 °C Room temperature: +18 °C Outlet air temperature: +35 °C*1				Water temperature: 110/80 °C Room temperature: +18 °C			
Type	Fan position	Airflow [m³/h]	Output [kW]	Return water temp. [°C]	Water flow [l/s]	Pressure drop [kPA]	Output*2 [kW]	Outlet air temp. [°C]	Water flow [l/s]	Pressure drop [kPA]
PA3510WH	max	1900	11,1	53	0,05	1,9	15,8	42,4	0,13	10,8
	min	950	5,6	42	0,02	0,4	10,3	49,8	0,085	5
PA3515WH	max	2900	16,8	53	0,07	1	24,6	42,9	0,02	6,4
	min	1350	8	43	0,03	0,2	15,3	51,2	0,13	2,7
PA3520WH	max	3900	23	50	0,09	2	34,1	43,6	0,3	14
	min	1800	10,4	37	0,03	0,4	21	52,2	0,2	5,8
PA3525WH	max	5100	29,1	50	0,12	1,2	43,9	43,2	0,36	8,6
	min	2300	13,7	40	0,05	0,3	26,7	52	0,22	3,5
			Supply water temperature: 90 °C Room temperature: +18 °C Outlet air temperature: +35 °C*1				Water temperature: 90/70 °C Room temperature: +18 °C			
Type	Fan position	Airflow [m³/h]	Output [kW]	Return water temp. [°C]	Water flow [l/s]	Pressure drop [kPA]	Output*2 [kW]	Outlet air temp. [°C]	Water flow [l/s]	Pressure drop [kPA]
PA3510WH	max	1900	11,0	58	0,09	5,3	12,9	37,9	0,16	15,9
	min	950	5,5	45	0,03	0,9	8,4	43,8	0,1	7,3
PA3515WH	max	2900	16,9	58	0,13	3,1	20	38,2	0,25	9,4
	min	1350	7,9	45	0,04	0,4	12,4	44,9	0,15	4
PA3520WH	max	3900	22	54	0,15	4,8	27,7	38,8	0,34	20,6
	min	1800	10,2	41	0,05	0,7	17	45,7	0,21	8,5
PA3525WH	max	5100	30,3	58	0,24	4,2	35,7	38,5	0,44	12,6
	min	2300	13,4	43	0,07	0,5	21,6	45,6	0,27	5,1
			Supply water temperature: 80 °C Room temperature: +18 °C Outlet air temperature: +35 °C*1				Water temperature: 80/60 °C Room temperature: +18 °C			
Type	Fan position	Airflow [m³/h]	Output [kW]	Return water temp. [°C]	Water flow [l/s]	Pressure drop [kPA]	Output*2 [kW]	Outlet air temp. [°C]	Water flow [l/s]	Pressure drop [kPA]
PA3510WH	max	1900	10,8	61	0,14	13,3	10,6	34,3	0,13	11,4
	min	950	5,5	48	0,04	1,6	6,9	39,2	0,08	5,3
PA3515WH	max	2900	16,7	61	0,22	7,8	16,4	34,6	0,2	6,7
	min	1350	7,6	46	0,05	0,7	10,2	40,1	0,12	2,8
PA3520WH	max	3900	23,2	61	0,3	17,1	22,8	35,1	0,28	14,7
	min	1800	10,4	44	0,07	1,3	10,4	40,8	0,17	6,1
PA3525WH	max	5100	29,9	61	0,39	10,5	29,3	34,8	0,36	9
	min	2300	13,6	46	0,1	0,9	17,8	40,7	0,22	3,7
			Supply water temperature: 82 °C Room temperature: +18 °C Outlet air temperature: +35 °C*1				Water temperature: 82/71 °C Room temperature: +18 °C			
Type	Fan position	Airflow [m³/h]	Output [kW]	Return water temp. [°C]	Water flow [l/s]	Pressure drop [kPA]	Output*2 [kW]	Outlet air temp. [°C]	Water flow [l/s]	Pressure drop [kPA]
PA3510WH	max	1900	11,0	62,0	0,14	12,3	12,5	37,3	0,28	44,9
	min	950	5,4	46	0,04	1,2	8,1	43	0,18	20,5
PA3515WH	max	2900	17,1	62	0,21	7,2	19,5	37,7	0,43	27,1
	min	1350	7,7	46	0,05	0,6	12,1	44,2	0,27	11,2
PA3520WH	max	3900	22,4	58	0,23	10,3	26,8	38,2	0,6	58,5
	min	1800	10,6	44	0,07	1,2	16,5	44,8	0,37	23,9
PA3525WH	max	5100	28,7	58	0,3	6,3	34,6	37,9	0,78	35,9
	min	2300	13,1	44	0,08	0,7	21	44,7	0,47	14,3

*1) Recommended outlet air temperature for good comfort and optimized output.

*2) Nominal output at given supply and return water temperature.

See www.frico.se for additional calculations.

Output charts water PA3500 WL

			Supply water temperature: 80 °C Room temperature: +18 °C Outlet air temperature: +35 °C*1				Water temperature: 80/60 °C Room temperature: +18 °C			
Type	Fan position	Airflow [m³/h]	Output [kW]	Return water temp. [°C]	Water flow [l/s]	Pressure drop [kPA]	Output*2 [kW]	Outlet air temp. [°C]	Water flow [l/s]	Pressure drop [kPA]
PA3510WL	max	1900	11,3	33	0,06	1,5	21,1	50,6	0,26	20,4
	min	950	5,6	29	0,03	0,4	13	58,2	0,16	8,5
PA3515WL	max	2900	16,9	30	0,08	1,9	33,5	51,9	0,4	32,8
	min	1350	8	27	0,04	0,5	19,4	60,2	0,24	12,2
PA3520WL	max	3900	23,2	31	0,11	1,4	45,3	52	0,55	22,8
	min	1800	10,6	28	0,05	0,3	26	60,3	0,32	8,4
PA3525WL	max	5100	30	29	0,14	2,5	59,7	52,3	0,73	45
	min	2300	13,2	25	0,06	0,5	33,7	60,9	0,41	15,9

			Supply water temperature: 70 °C Room temperature: +18 °C Outlet air temperature: +35 °C*1				Water temperature: 70/50 °C Room temperature: +18 °C			
Type	Fan position	Airflow [m³/h]	Output [kW]	Return water temp. [°C]	Water flow [l/s]	Pressure drop [kPA]	Output*2 [kW]	Outlet air temp. [°C]	Water flow [l/s]	Pressure drop [kPA]
PA3510WL	max	1900	11,3	35	0,08	2,5	16,7	43,7	0,2	13,6
	min	950	5,5	30	0,03	0,6	10,3	49,8	0,13	5,8
PA3515WL	max	2900	16,6	32	0,1	3	26,6	44,9	0,32	22
	min	1350	7,8	28	0,05	0,7	15,5	51,6	0,19	8,3
PA3520WL	max	3900	22	32	0,14	2,1	35,8	44,9	0,44	15,3
	min	1800	10,5	28	0,06	0,5	20,7	51,7	0,25	5,7
PA3525WL	max	5100	29,5	31	0,18	4	47,4	45,3	0,58	30,3
	min	2300	13,2	26	0,07	0,8	26,9	52,3	0,33	11

			Supply water temperature: 60 °C Room temperature: +18 °C Outlet air temperature: +35 °C*1				Water temperature: 60/40 °C Room temperature: +18 °C			
Type	Fan position	Airflow [m³/h]	Output [kW]	Return water temp. [°C]	Water flow [l/s]	Pressure drop [kPA]	Output*2 [kW]	Outlet air temp. [°C]	Water flow [l/s]	Pressure drop [kPA]
PA3510WL	max	1900	11,2	37	0,12	5,6	12,1	36,7	0,15	7,9
	min	950	5,5	31	0,05	1,1	7,6	41,3	0,09	3,4
PA3515WL	max	2900	16,8	35	0,16	6,6	19,5	37,7	0,24	13
	min	1350	8	30	0,06	1,3	11,5	42,9	0,14	5
PA3520WL	max	3900	22,4	35	0,22	4,5	26,2	37,7	0,32	9
	min	1800	10,3	30	0,08	0,8	15,3	42,9	0,19	3,4
PA3525WL	max	5100	30,4	35	0,29	9,3	35	38,1	0,42	18,1
	min	2300	13,5	28	0,1	1,5	20	43,5	0,24	6,7

			Supply water temperature: 55 °C Room temperature: +18 °C Outlet air temperature: +35 °C*1				Water temperature: 55/35 °C Room temperature: +18 °C			
Type	Fan position	Airflow [m³/h]	Output [kW]	Return water temp. [°C]	Water flow [l/s]	Pressure drop [kPA]	Output*2 [kW]	Outlet air temp. [°C]	Water flow [l/s]	Pressure drop [kPA]
PA3510WL	max	1900	11,2	39	0,18	10,7	9,8	33,1	0,12	5,5
	min	950	5,5	32	0,06	1,7	6,1	36,8	0,07	2,4
PA3515WL	max	2900	16,9	37	0,23	12,3	15,9	34,1	0,19	9,1
	min	1350	7,8	30	0,08	1,8	9,4	38,3	0,11	3,6
PA3520WL	max	3900	22,7	37	0,3	8,5	21,3	34	0,26	6,3
	min	1800	10,2	30	0,1	1,2	12,4	38,3	0,15	2,4
PA3525WL	max	5100	30,4	37	0,4	17,2	28,7	34,5	0,35	12,8
	min	2300	13,2	29	0,12	2,1	16,5	39	0,2	4,8

*1) Recommended outlet air temperature for good comfort and optimized output.

*2) Nominal output at given supply and return water temperature.

See www.frico.se for additional calculations.

Output charts water PA3500 WLL

			Supply water temperature: 55 °C Room temperature: +18 °C Outlet air temperature: +32 °C				Water temperature: 55/35 °C Room temperature: +18 °C			
Type	Fan position	Airflow [m³/h]	Output [kW]	Return water temp. [°C]	Water flow [l/s]	Pressure drop [kPA]	Output* [kW]	Outlet air temp. [°C]	Water flow [l/s]	Pressure drop [kPA]
PA3510WLL	max	1850	8,9	29,0	0,08	1,7	11,8	36,7	0,08	1,7
	min	900	4,4	28	0,04	0,5	6,9	40,5	0,04	0,5
PA3515WLL	max	2750	13,5	30	0,13	1	17,4	36,5	0,21	2,2
	min	1300	5,8	31	0,06	0,2	9,7	40,1	0,18	0,8
PA3520WLL	max	3700	17,7	27	0,16	1,6	17,7	38	0,3	5,1
	min	1700	8,2	27	0,07	0,4	8,2	42	0,17	1,8
PA3525WLL	max	4900	23,5	28	0,21	1,6	32,7	37,6	0,4	4,8
	min	2250	11	28	0,1	0,4	18,1	41,6	0,22	1,7

			Supply water temperature: 50 °C Room temperature: +18 °C Outlet air temperature: +32 °C				Water temperature: 50/30 °C Room temperature: +18 °C			
Type	Fan position	Airflow [m³/h]	Output [kW]	Return water temp. [°C]	Water flow [l/s]	Pressure drop [kPA]	Output* [kW]	Outlet air temp. [°C]	Water flow [l/s]	Pressure drop [kPA]
PA3510WLL	max	1850	9,0	30	0,11	2,7	8,9	32	0,11	2,6
	min	900	4,3	28	0,05	0,6	5,1	34,7	0,06	1
PA3515WLL	max	2750	12,9	30	0,16	1,3	12,7	31,5	0,15	1,3
	min	1300	6,2	30	0,07	0,4	6,5	32,8	0,08	0,4
PA3520WLL	max	3700	17,6	28	0,2	2,4	19,2	33,2	0,23	3,2
	min	1700	8,4	27	0,09	0,6	10,6	36,2	0,13	1,2
PA3525WLL	max	4900	22,6	28	0,25	2,2	24,8	32,8	0,3	3
	min	2250	10,9	27	0,12	0,6	13,6	35,8	0,16	1

			Supply water temperature: 45 °C Room temperature: +18 °C Outlet air temperature: +32 °C				Water temperature: 45/35 °C Room temperature: +18 °C			
Type	Fan position	Airflow [m³/h]	Output [kW]	Return water temp. [°C]	Water flow [l/s]	Pressure drop [kPA]	Output* [kW]	Outlet air temp. [°C]	Water flow [l/s]	Pressure drop [kPA]
PA3510WLL	max	1850	9,1	32,0	0,17	5,9	10,2	34,2	0,25	11,4
	min	900	4,4	29	0,07	1,2	5,9	37,2	0,14	4,4
PA3515WLL	max	2750	13,5	32	0,25	3	15,4	34,4	0,37	6
	min	1300	6,3	30	0,1	0,6	8,5	37,5	0,2	2,1
PA3520WLL	max	3700	18,1	30	0,3	5,1	21,6	35,1	0,52	13,6
	min	1700	8,1	27	0,11	0,9	11,8	38,3	0,29	4,7
PA3525WLL	max	4900	23,4	30	0,39	4,7	28,2	34,9	0,68	12,8
	min	2250	11,1	28	0,16	1	15,4	38,1	0,37	4,4

			Supply water temperature: 40 °C Room temperature: +18 °C Outlet air temperature: +32 °C				Water temperature: 40/30 °C Room temperature: +18 °C			
Type	Fan position	Airflow [m³/h]	Output [kW]	Return water temp. [°C]	Water flow [l/s]	Pressure drop [kPA]	Output* [kW]	Outlet air temp. [°C]	Water flow [l/s]	Pressure drop [kPA]
PA3510WLL	max	1850	8,9	34	0,35	21,0	7,6	30	0,18	6,9
	min	900	4,4	30	0,11	2,7	4,4	32,4	0,11	2,7
PA3515WLL	max	2750	12,8	32	0,41	7,4	11,3	30	0,27	3,5
	min	1300	6,2	30	0,15	1,2	6,2	32,2	0,15	1,2
PA3520WLL	max	3700	17,9	32	0,58	16,6	16,1	30,8	0,39	8,3
	min	1700	8,3	29	0,18	2,1	8,9	33,3	0,21	2,9
PA3525WLL	max	4900	23,4	32	0,75	15,6	21	30,6	0,51	7,7
	min	2250	10,7	29	0,23	1,9	11,6	33,1	0,28	2,7

*1) Recommended outlet air temperature for good comfort and optimized output.

*2) Nominal output at given supply and return water temperature.

See www.frico.se for additional calculations.

Output charts water PA4200 WH

			Supply water temperature: 110 °C Room temperature: +18 °C Outlet air temperature: +35 °C*1				Water temperature: 110/80 °C Room temperature: +18 °C			
Type	Fan position	Airflow [m³/h]	Output [kW]	Return water temp. [°C]	Water flow [l/s]	Pressure drop [kPA]	Output*2 [kW]	Outlet air temp. [°C]	Water flow [l/s]	Pressure drop [kPA]
PA4210WH	max	2600	15,1	53	0,06	3,9	21,2	41,9	0,17	22,1
	min	1050	6,1	37	0,02	0,5	12,1	51,6	0,10	8
PA4215WH	max	3800	21,7	53	0,09	1,2	31,7	42,4	0,26	7,6
	min	1600	9,1	42	0,03	0,2	18,5	51,8	0,15	2,8
PA4220WH	max	5300	30,2	50	0,12	2,4	44,9	42,8	0,37	17,1
	min	2200	12,7	37	0,04	0,4	25,9	52,5	0,21	6,3
PA4225WH	max	6400	36,2	53	0,16	0,6	54	42,7	0,44	4
	min	2800	16,3	44	0,06	0,1	32,2	51,7	0,27	1,6
			Supply water temperature: 90 °C Room temperature: +18 °C Outlet air temperature: +35 °C*1				Water temperature: 90/70 °C Room temperature: +18 °C			
Type	Fan position	Airflow [m³/h]	Output [kW]	Return water temp. [°C]	Water flow [l/s]	Pressure drop [kPA]	Output*2 [kW]	Outlet air temp. [°C]	Water flow [l/s]	Pressure drop [kPA]
PA4210WH	max	2600	14,7	58	0,11	11,0	17,2	37,4	0,21	32,4
	min	1050	6,0	41	0,03	1,1	9,8	45,3	0,12	11,7
PA4215WH	max	3800	21,7	58	0,17	3,6	25,7	37,9	0,32	11,3
	min	1600	9,5	45	0,05	0,4	15	45,4	0,18	4,2
PA4220WH	max	5300	31,1	58	0,24	8,3	36,4	38,1	0,45	25,1
	min	2200	12,6	41	0,06	0,8	21	45,9	0,26	9,2
PA4225WH	max	6400	36,8	58	0,29	1,9	43,9	38,1	0,54	6
	min	2800	15,9	45	0,09	0,2	26,1	45,4	0,32	2,3
			Supply water temperature: 80 °C Room temperature: +18 °C Outlet air temperature: +35 °C*1				Water temperature: 80/60 °C Room temperature: +18 °C			
Type	Fan position	Airflow [m³/h]	Output [kW]	Return water temp. [°C]	Water flow [l/s]	Pressure drop [kPA]	Output*2 [kW]	Outlet air temp. [°C]	Water flow [l/s]	Pressure drop [kPA]
PA4210WH	max	2600	15,2	65	0,25	44,5	14,2	34	0,17	23,4
	min	1050	6,0	44	0,04	1,9	8,1	40,5	0,10	8,5
PA4215WH	max	3800	21,5	61	0,28	9,3	21,1	34,3	0,26	8
	min	1600	9,2	46	0,07	0,7	12,3	40,5	0,15	3
PA4220WH	max	5300	30,5	61	0,40	20,9	30	34,6	0,37	18
	min	2200	12,8	44	0,09	1,4	17,3	41	0,21	6,6
PA4225WH	max	6400	36,7	61	0,48	4,9	35,9	34,4	0,44	4,2
	min	2800	16,6	48	0,13	0,5	21,4	40,4	0,26	1,7
			Supply water temperature: 82 °C Room temperature: +18 °C Outlet air temperature: +35 °C*1				Water temperature: 82/71 °C Room temperature: +18 °C			
Type	Fan position	Airflow [m³/h]	Output [kW]	Return water temp. [°C]	Water flow [l/s]	Pressure drop [kPA]	Output*2 [kW]	Outlet air temp. [°C]	Water flow [l/s]	Pressure drop [kPA]
PA4210WH	max	2600	14,8	62	0,18	25,1	16,6	36,7	0,37	91,4
	min	1050	6,1	44	0,04	1,8	9,4	44,3	0,21	32,5
PA4215WH	max	3800	22,0	62	0,27	8,6	25,1	37,4	0,56	32,5
	min	1600	9,3	46	0,06	0,7	14,6	44,7	0,32	11,9
PA4220WH	max	5300	31,3	62	0,38	19,3	35,3	37,5	0,79	71,9
	min	2200	12,4	42	0,08	1,1	20,3	45	0,45	25,9
PA4225WH	max	6400	37,5	62	0,46	4,5	42,9	37,7	0,96	17,2
	min	2800	15,8	46	0,11	0,4	25,5	44,7	0,57	6,6

*1) Recommended outlet air temperature for good comfort and optimized output.

*2) Nominal output at given supply and return water temperature.

See www.frico.se for additional calculations.

Output charts water PA4200 WL

			Supply water temperature: 80 °C Room temperature: +18 °C Outlet air temperature: +35 °C*1				Water temperature: 80/60 °C Room temperature: +18 °C			
Type	Fan position	Airflow [m³/h]	Output [kW]	Return water temp. [°C]	Water flow [l/s]	Pressure drop [kPA]	Output*2 [kW]	Outlet air temp. [°C]	Water flow [l/s]	Pressure drop [kPA]
PA4210WL	max	2600	14,9	31	0,07	2,7	28,4	50	0,35	42
	min	1050	6,0	26	0,03	0,5	15	59,9	0,18	13,3
PA4215WL	max	3800	21,7	30	0,11	2,2	43,3	51,4	0,53	38,4
	min	1600	9,5	27	0,04	0,5	23,3	60,7	0,29	12,5
PA4220WL	max	5300	31,4	31	0,15	2,0	60,1	51,2	0,73	31,9
	min	2200	12,8	27	0,06	0,4	32,1	60,7	0,39	10,2
PA4225WL	max	6400	36,6	28	0,17	2,9	75	52,3	0,92	56,7
	min	2800	16,3	24	0,07	0,6	41,4	61,3	0,51	19,2
			Supply water temperature: 70 °C Room temperature: +18 °C Outlet air temperature: +35 °C*1				Water temperature: 70/50 °C Room temperature: +18 °C			
Type	Fan position	Airflow [m³/h]	Output [kW]	Return water temp. [°C]	Water flow [l/s]	Pressure drop [kPA]	Output*2 [kW]	Outlet air temp. [°C]	Water flow [l/s]	Pressure drop [kPA]
PA4210WL	max	2600	14,9	33	0,10	4,6	22,5	43,4	0,27	28,2
	min	1050	6,1	28	0,03	0,8	12	51,4	0,15	9,1
PA4215WL	max	3800	22,1	32	0,14	3,8	34,3	44,4	0,42	25,7
	min	1600	9,4	28	0,05	0,7	18,6	52,1	0,23	8,5
PA4220WL	max	5300	31,4	33	0,21	3,5	47,6	44,3	0,58	21,4
	min	2200	12,7	28	0,07	0,6	25,6	52,1	0,31	7
PA4225WL	max	6400	36,4	30	0,22	4,7	59,7	45,3	0,73	38,3
	min	2800	15,8	25	0,09	0,9	33,1	52,7	0,40	13,2
			Supply water temperature: 60 °C Room temperature: +18 °C Outlet air temperature: +35 °C*1				Water temperature: 60/40 °C Room temperature: +18 °C			
Type	Fan position	Airflow [m³/h]	Output [kW]	Return water temp. [°C]	Water flow [l/s]	Pressure drop [kPA]	Output*2 [kW]	Outlet air temp. [°C]	Water flow [l/s]	Pressure drop [kPA]
PA4210WL	max	2600	15,4	37	0,17	11,8	16,5	36,6	0,20	16,6
	min	1050	6,2	30	0,05	1,4	8,9	42,7	0,11	5,5
PA4215WL	max	3800	21,6	35	0,21	7,6	25,2	37,4	0,31	15
	min	1600	9,2	29	0,07	1,2	13,8	43,2	0,17	5,1
PA4220WL	max	5300	29,9	35	0,29	6,3	34,9	37,3	0,42	12,6
	min	2200	13,1	30	0,10	1,1	18,9	43,2	0,23	4,2
PA4225WL	max	6400	36,8	33	0,34	10,0	44,1	38,2	0,54	22,8
	min	2800	16,3	28	0,12	1,7	24,7	43,9	0,30	8,1
			Supply water temperature: 55 °C Room temperature: +18 °C Outlet air temperature: +35 °C*1				Water temperature: 55/35 °C Room temperature: +18 °C			
Type	Fan position	Airflow [m³/h]	Output [kW]	Return water temp. [°C]	Water flow [l/s]	Pressure drop [kPA]	Output*2 [kW]	Outlet air temp. [°C]	Water flow [l/s]	Pressure drop [kPA]
PA4210WL	max	2600	15,2	39	0,23	22,3	13,4	33,1	0,16	11,7
	min	1050	6,0	30	0,06	2,0	7,2	38,2	0,09	3,9
PA4215WL	max	3800	21,8	37	0,29	14,2	20,5	33,8	0,25	10,5
	min	1600	9,3	30	0,09	1,8	11,3	38,6	0,14	3,6
PA4220WL	max	5300	30,2	37	0,41	11,9	28,4	33,7	0,34	8,8
	min	2200	12,8	30	0,13	1,5	15,5	38,6	0,19	3
PA4225WL	max	6400	37,1	36	0,47	18,4	36,2	34,6	0,44	16,2
	min	2800	16,5	29	0,15	2,6	20,4	39,3	0,25	5,8

*1) Recommended outlet air temperature for good comfort and optimized output.

*2) Nominal output at given supply and return water temperature.

See www.frico.se for additional calculations.

Output charts water PA4200 WLL

			Supply water temperature: 55 °C Room temperature: +18 °C Outlet air temperature: +32 °C				Water temperature: 55/35 °C Room temperature: +18 °C			
Type	Fan position	Airflow [m³/h]	Output [kW]	Return water temp. [°C]	Water flow [l/s]	Pressure drop [kPA]	Output* [kW]	Outlet air temp. [°C]	Water flow [l/s]	Pressure drop [kPA]
PA4210WLL	max	2500	12,0	29	0,11	2,0	15,7	36,5	0,19	4,9
	min	1000	4,8	28	0,04	0,4	7,9	41,3	0,10	1,5
PA4215WLL	max	3600	17,2	27	0,15	2,0	24,3	37,8	0,29	6,4
	min	1500	7,4	27	0,06	0,5	12,5	42,4	0,15	2
PA4220WLL	max	5200	25,1	29	0,23	1,6	33,3	36,8	0,40	4,2
	min	2100	9,0	29	0,08	0,3	16,7	41,3	0,20	1,2
PA4225WLL	max	6200	29,5	28	0,26	1,7	41,3	37,5	0,50	5,3
	min	2700	13,9	28	0,13	0,5	21,9	41,8	0,27	1,7
			Supply water temperature: 50 °C Room temperature: +18 °C Outlet air temperature: +32 °C				Water temperature: 50/30 °C Room temperature: +18 °C			
Type	Fan position	Airflow [m³/h]	Output [kW]	Return water temp. [°C]	Water flow [l/s]	Pressure drop [kPA]	Output* [kW]	Outlet air temp. [°C]	Water flow [l/s]	Pressure drop [kPA]
PA4210WLL	max	2500	12,0	30	0,15	3,2	11,9	31,9	0,14	3,1
	min	1000	4,9	28	0,05	0,6	5,9	35,3	0,07	0,9
PA4215WLL	max	3600	17,0	28	0,19	3,1	18,6	33,1	0,22	4,1
	min	1500	7,2	26	0,07	0,6	9,5	36,6	0,12	1,3
PA4220WLL	max	5200	25,3	30	0,31	2,7	24,9	32,1	0,30	2,6
	min	2100	10,0	28	0,11	0,5	12,2	35	0,15	0,7
PA4225WLL	max	6200	30,1	29	0,35	2,9	31,3	32,8	0,38	3,3
	min	2700	12,8	27	0,14	0,6	16,4	35,8	0,20	1
			Supply water temperature: 45 °C Room temperature: +18 °C Outlet air temperature: +32 °C				Water temperature: 45/35 °C Room temperature: +18 °C			
Type	Fan position	Airflow [m³/h]	Output [kW]	Return water temp. [°C]	Water flow [l/s]	Pressure drop [kPA]	Output* [kW]	Outlet air temp. [°C]	Water flow [l/s]	Pressure drop [kPA]
PA4210WLL	max	2500	12,2	32	0,23	6,9	13,7	34	0,33	13,4
	min	1000	4,8	28	0,07	0,9	6,8	37,9	0,16	3,9
PA4215WLL	max	3600	17,4	30	0,29	6,4	20,8	34,9	0,50	17
	min	1500	7,3	27	0,10	1,0	10,5	38,5	0,25	5,1
PA4220WLL	max	5200	25,7	32	0,48	5,8	29	34,3	0,70	11,5
	min	2100	10,1	28	0,15	0,7	14,4	38,1	0,35	3,3
PA4225WLL	max	6200	29,6	30	0,49	5,2	35,6	34,8	0,86	14,4
	min	2700	13,3	28	0,19	1,0	18,7	38,3	0,45	4,5
			Supply water temperature: 40 °C Room temperature: +18 °C Outlet air temperature: +32 °C				Water temperature: 40/30 °C Room temperature: +18 °C			
Type	Fan position	Airflow [m³/h]	Output [kW]	Return water temp. [°C]	Water flow [l/s]	Pressure drop [kPA]	Output* [kW]	Outlet air temp. [°C]	Water flow [l/s]	Pressure drop [kPA]
PA4210WLL	max	2500	11,9	34,0	0,46	24,6	10,1	29,9	0,24	8
	min	1000	4,7	29,0	0,10	1,7	5,1	32,8	0,12	2,4
PA4215WLL	max	3600	17,2	32,0	0,55	20,7	15,5	30,6	0,37	10,4
	min	1500	7,4	29,0	0,16	2,3	7,9	33,5	0,19	3,2
PA4220WLL	max	5200	24,1	32,0	0,77	14,1	21,4	30,1	0,52	6,8
	min	2100	9,8	29,0	0,21	1,4	10,7	32,9	0,26	2
PA4225WLL	max	6200	29,6	32,0	0,95	17,6	26,5	30,5	0,64	8,6
	min	2700	13,0	29,0	0,28	1,9	14	33,2	0,34	2,7

*1) Recommended outlet air temperature for good comfort and optimized output.

*2) Nominal output at given supply and return water temperature.

See www.frico.se for additional calculations.

Montage- en bedieningsinstructies

Algemene instructies

Lees deze instructies zorgvuldig door voorafgaand aan installatie en gebruik. Bewaar deze handleiding voor naslagdoeleinden.

Het product mag uitsluitend worden gebruikt zoals beschreven in de montage- en bedieningsinstructies. De garantie geldt uitsluitend als het product wordt gebruikt op de bedoelde manier en in overeenstemming met de instructies.

Toepassing

De PA3500 is bedoeld voor entrees en kleinere deuren met een hoogte tot 3,5 meter. De PA4200 is bedoeld voor grotere ingangen en industriële deuren met een hoogte tot 4,2 meter.

Het luchtgordijn is leverbaar zonder verwarming, met elektrische verwarming en met waterverwarming.

Beschermklasse voor eenheden met elektrische verwarming: IP20.

Beschermklasse voor eenheden zonder verwarming en eenheden met waterverwarming: IP21.

Bediening

De lucht wordt aan de boven-/onderkant van de unit naar binnen getrokken en naar beneden/buiten geblazen, zodat de deuropening wordt afgeschermd en er zo weinig mogelijk warmte verloren gaat. Voor het beste gordijneffect moet de unit de volledige hoogte/breedte van de deuropening afdekken.

Het rooster voor het richten van de uitblaaslucht is instelbaar en is normaliter naar buiten gedraaid om de beste bescherming tegen binnenstromende lucht te geven.

De efficiëntie van het luchtgordijn is afhankelijk van de luchttemperatuur, de drukverschillen over de deuropening en de winddruk.

Let op! Onderdruk in het gebouw vermindert de efficiëntie van het luchtgordijn aanzienlijk. Daarom moet de ventilatie in balans zijn.

Montage

Het assortiment luchtgordijnen kan worden aangepast voor verticale en horizontale installatie en de eenheden kunnen ook in verlaagde plafonds worden ingebouwd.

Horizontale montage

Het luchtgordijn wordt horizontaal geïnstalleerd met het uitblaasrooster zo dicht mogelijk bij de deur en naar beneden gericht. De minimale afstand van de unit tot de vloer voor elektrisch verwarmde eenheden is 1800 mm. Voor andere minimale afstanden, zie fig. 3.

Voor de bescherming van bredere entrees kunnen meerdere eenheden naast elkaar worden gemonteerd met behulp van een verbindingssset (fig. 9).

Een designset voor elegante installaties, waarbij kabels, leidingen en bevestigingen worden verborgen, is verkrijgbaar voor wand- en plafondmontage (zie de pagina's met accessoires).

Montage met wandbeugels PA34WB (fig. 6)

1. Verwijder de kunststof afdekkingen van de wandbeugels. (Fig. 6A)
2. Monteer de beugels aan de muur, zie de afmetingen in fig. 6B.
3. Draai de hamerkopschroeven op de unit in de gaten M8 vast. (Fig. 5 en 6C)
4. Borg de moeren zodanig, dat de hamerkopschroeven op een hoogte van 20 mm zitten. Let op de richting van de schroefkoppen. (Fig. 6C)
5. Schuif de unit op de consoles. (Fig. 6D)
6. Borg de moeren tegen de beugel en plaats de kunststof afdekkingen terug. (Fig. 6E)

Horizontale montage aan het plafond

Draadstangen, draadophangsets en plafondbeugels voor plafondmontage zijn als accessoires verkrijgbaar, zie fig. 7 en 8 en de aparte handleidingen.

Horizontale inbouwmontage in zwevende plafonds

Als accessoire is er een uitlaatverlengstuk verkrijgbaar voor ingebouwde installatie, zie fig. 10 en de aparte handleiding.

Verticale montage PA3JK

Eenheden van 1,5 meter en langer kunnen verticaal worden gebruikt. Alle eenheden moeten voor verticale montage worden uitgebreid met een verticale set die alles bevat wat noodzakelijk is voor een praktische installatie van vloereenheden.

De unit kan worden omgekeerd en aan beide kanten van de deur worden geplaatst. De aansluitingen en SIRE-besturingskaart bevinden zich dicht bij het vloerniveau wanneer het luchtgordijn links van de deur wordt geplaatst en bovenaan wanneer het luchtgordijn rechts van de deur wordt geplaatst (gezien vanaf de binnenzijde).

De bijbehorende vloerranden worden met voor het oppervlak geschikte bevestigingen aan de vloer bevestigd.

Twee eenheden kunnen direct boven op elkaar worden gemonteerd. De vloerrand wordt dan als een verbindingsbeugel gebruikt.

Het luchtgordijn moet aan de wand of het plafond worden bevestigd.

Een designset voor een elegantere installatie, waarbij kabels en leidingen worden verborgen, is als accessoire verkrijgbaar (zie de pagina's met accessoires).
Zie fig. 11 en de aparte handleiding.

Elektrische installatie

De installatie, die door een werkschakelaar met een contactscheiding van minimaal 3 mm moet worden voorafgegaan, mag uitsluitend door een bevoegde elektricien worden bedraad conform de meest recente uitgave van de IEE-voorschriften inzake bedrading. Het regelsysteem is met een geïntegreerde besturingskaart vooraf geïnstalleerd in het luchtgordijn (zie fig. 2).

SIRE wordt voorgeprogrammeerd met snelaansluitingen geleverd.

Modulaire kabels worden op het bedieningspaneel aangesloten. Zie de SIRE-handleiding.

Unit zonder verwarming of met waterverwarming
Wordt aangesloten via de ingebouwde SIRE-besturingskaart met een kabel (2 meter) en stekker.

Unit met elektrische verwarming

De elektrische installatie vindt bovenop de unit (horizontaal) of op de achterkant (verticaal) plaats. De regelvoeding is 230 V~ en de kabel wordt vanaf de ingebouwde SIRE-besturingskaart geleid. De stroomvoorziening voor de verwarming (400V3 ~) wordt aangesloten op het klemmenblok in de interne aansluitbox. Units van 2 meter en langer vereisen een dubbele voeding.

De grootste kabeldiameter voor het voedingsblok is 16 mm². De gebruikte kabelpakkingen moeten voldoen aan de eisen van de beschermklasse. Op het verdeelpaneel moet worden aangegeven, dat "de luchtgordijnen vanuit meer dan een aansluiting kunnen worden gevoed".

Zie bedradingsschema's.

Type	Capaciteit [kW]	Voltage [V]	Minimum oppervlakte* [mm ²]
Manouver	0	230V~	1,5
PA3510E08	8	400V3~	2,5
PA3515E12	12	400V3~	4
PA4210E12	12	400V3~	4
PA4215E18	18	400V3~	10
PA3520E16 ^{*1}	8	400V3~	2,5
	8	400V3~	2,5
PA3525E20 ^{*1}	8	400V3~	2,5
	12	400V3~	4
PA4220E24 ^{*1}	12	400V3~	4
	12	400V3~	4
PA4225E30 ^{*1}	12	400V3~	4
	18	400V3~	10

*1) Eenheden van 2 m en 2,5 m worden met twee voedingen aangesloten, zie p. 2. Eenheden van 2,5 meter hebben elektrische batterijen met twee verschillende vermogens en de elektrische batterij links, op een horizontale unit (vanuit de ruimte bekeken), heeft het hoogste vermogen.

*2) De afmetingen van de externe bedrading moeten voldoen aan de van toepassing zijnde voorschriften en lokale afwijkingen kunnen voorkomen.

Opstarten (E)

Als de unit voor het eerst of na een langere periode van stilstand wordt gebruikt, kan er rook of een geur optreden als gevolg van op het element achtergebleven stof of vuil. Dit is volstrekt normaal en zal na korte tijd verdwijnen.

De batterij aansluiten (W)

De installatie moet door een gekwalificeerde installateur worden uitgevoerd.

De waterbatterij heeft koperen buizen met aluminium vinnen en is geschikt voor aansluiting op een gesloten waterverwarming. Stalen aansluitleiding. De verwarmingsbatterij mag niet worden aangesloten op een hoofdwaterleiding of open watersysteem.

Let erop dat de unit moet worden voorafgegaan door een regelklep, zie de kleppenset van Frico.

De waterbatterij wordt bovenop de unit (horizontale montage) of op de achterkant (verticale montage) aangesloten via aansluitingen DN20 (3/4"), buitendraad. Flexibele slangen zijn als accessoire verkrijgbaar (zie de pagina's met accessoires).

De aansluitingen naar de batterij moeten worden voorzien van afsluitkleppen (zitten in de kleppensets van Frico) voor een probleemloze verwijdering.

Een ontlufter moet op een hoog punt in het leidingsysteem worden aangesloten. Luchtkleppen zijn niet inbegrepen.

Bij verticale installatie en een wateraansluiting onderin is het niet mogelijk om de batterij in de unit te ontluften. Zorg ervoor dat de waterbatterij vóór de inbedrijfstelling met water is gevuld en dat er geen lucht is achtergebleven. Zie fig. 4.

De oplossing die wij aanbevelen is een T-aansluiting en afsluitkleppen. Er kunnen kleine luchtbelletjes achterblijven, maar die verdwijnen bij normaal bedrijf. Let op: Wees voorzichtig bij het aansluiten van de buizen. Gebruik een sleutel o.i.d. om de luchtgordijnaansluitingen tegen te houden om overbelasting van de buizen en daardoor waterlekage tijdens het aansluiten van watertoevoerbuizen te voorkomen.

Aanpassing van het luchtgordijn en de luchtstroom

De richting en snelheid van de luchtstroom moeten op basis van de belasting op de opening worden afgesteld. Drukkrachten beïnvloeden de luchtstroom en zorgen dat deze in het pand stroomt (als het pand verwarmd en de buitenlucht koud is).

De luchtstroom moet daarom naar buiten worden gericht om de belasting te weerstaan. In het algemeen geldt: hoe hoger de belasting, hoe groter de benodigde hoek.

Basisinstelling ventilatorsnelheid

Wanneer de deur geopend is, wordt de ventilatorsnelheid ingesteld met de regelaar. Let erop dat de richting van de luchtstroom en de ventilatorsnelheid eventueel nog verder moeten worden aangepast, afhankelijk van de belasting van de deur.

Filter (W)

De waterbatterij wordt tegen vuil en verstopping beschermd door een luchtfilter dat de voorkant van de batterij afdekt. In omgevingen waar het filter vaak moet worden gereinigd, wordt aanbevolen om een extern aanzuigfilter te gebruiken (zie de pagina's met accessoires). Dit zorgt voor eenvoudiger onderhoud, aangezien de unit niet hoeft te worden geopend.

Service, reparatie en onderhoud

Voor alle service, reparatie en onderhoud dient eerst het onderstaande te worden opgevolgd:

1. Ontkoppel de voeding.
2. Draai de schroeven los en breng het frontpaneel omhoog. Het front wordt in open positie geblokkeerd met de haak voor het frontluik (zie fig. 1A) of volledig verwijderd (zie fig. 1B). Het serviceluik wordt verwijderd door de schroeven los te draaien.
3. Na service, reparaties en onderhoud moeten het serviceluik en het front weer worden vastgezet. Als het front verwijderd is geweest, is het belangrijk dat het weer stevig in de frontvergrendelingen terechtkomt, zie fig. 1B.

Onderhoud

Unit met waterverwarming:

Het filter van het apparaat moet regelmatig worden gereinigd om het vermogen van het luchtgordijn en de warmteverspreiding van het apparaat te waarborgen. Hoe vaak dit moet gebeuren, is afhankelijk van de plaatselijke omstandigheden. Een verstopt filter vormt geen risico, maar de werking van het apparaat kan hierdoor verstoord raken.

1. Ontkoppel de voeding.
2. Draai de schroeven los en breng het frontpaneel omhoog. Het front wordt in open positie geblokkeerd met de haak voor het frontluik, zie fig. 1A.
3. Verwijder het filter en stofzuig of was het. Als het filter verstopt of beschadigd is, kan het nodig zijn het te vervangen.

Alle eenheden:

Aangezien de ventilatormotoren en overige componenten onderhoudsvrij zijn, is er geen onderhoud noodzakelijk behalve schoonmaken. De schoonmaakwerkzaamheden verschillen afhankelijk van plaatselijke omstandigheden. Reinig de unit ten minste tweemaal per jaar. Inlaat- en uitlaatroosters, waaier en elementen kunnen worden gestofzuigd of met een vochtige doek worden afgenomen. Gebruik een borstel bij het stofzuigen om beschadiging van gevoelige onderdelen te voorkomen. Vermijd het gebruik van sterk basische of zure schoonmaakmiddelen.

Oververhitting

Het luchtgordijn met elektrische verwarming is voorzien van een oververhittingsbeveiliging. Als deze door oververhitting is geactiveerd, moet er als volgt worden gereset:

1. Ontkoppel de elektriciteit met de volledig geïsoleerde schakelaar.
2. Laat het verwarmingselement afkoelen.
3. Stel de oorzaak van de oververhitting vast en herstel het mankement.
4. Sluit het luchtgordijn weer aan.

Alle motoren zijn voorzien van een integrale thermische veiligheidsschakelaar. Als de motortemperatuur te hoog wordt, stopt deze het luchtgordijn. De veiligheidsschakelaar reset automatisch als de motortemperatuur weer binnen de werkinggrenzen van de motor ligt.

Temperatuurregeling

De temperatuurregeling SIRE houdt de uitblaastemperatuur vast. Als de temperatuur toch tot boven de vooraf ingestelde waarde stijgt, gaat het oververhittingsalarm af. Voor meer informatie, zie de SIRE-handleiding.

Vervanging van de ventilator

1. Stel vast welke ventilator niet werkt.
2. Ontkoppel de kabels naar de betrokken ventilator.
3. Verwijder de schroeven waarmee de ventilator is bevestigd en til de ventilator uit de unit.
4. Installeer de nieuwe ventilator in omgekeerde volgorde als boven.

Vervangen van een verwarmingselement (E)

1. Markeer en ontkoppel de kabels naar het verwarmingselementpakket.
2. Verwijder de bevestigingsschroeven waarmee het verwarmingselementpakket in de unit vastzit en til het eruit.
3. Vervang het defecte verwarmingselement.
4. Plaats het verwarmingselementpakket in omgekeerde volgorde als boven.

De waterbatterij vervangen (W)

1. Sluit de watertoevoer naar de unit af.
2. Ontkoppel de aansluitingen op de waterbatterij.
3. Verwijder de bevestigingsschroeven waarmee de batterij in de unit vastzit en til de batterij eruit.
4. Plaats de nieuwe batterij in omgekeerde volgorde als boven.

Lokaliseren van storingen

Als de ventilatoren niet functioneren of niet goed blazen, controleer dan het volgende:

- Of het aanzuigrooster/filter vuil is.
- Controleer de functies en instellingen van het regelsysteem SIRE, zie de SIRE-handleiding.

Als er geen warmte is, controleer dan het volgende:

- Controleer de functies en instellingen van het regelsysteem SIRE, zie de SIRE-handleiding.

Voor eenheden met elektrische verwarming, controleer ook het volgende:

- Voeding naar de elektrische verwarming; controleer zekeringen en onderbreker (indien aanwezig).
- Of de oververhittingsbeveiliging voor de motoren niet is geactiveerd.

Voor eenheden met waterbatterij, controleer ook het volgende:

- Of de waterbatterij is ontlucht.
- Of de waterstroom voldoende is.
- Of het inkomende water voldoende verwarmd is.

Als de storing niet kan worden verholpen, neem dan contact op met een gekwalificeerde onderhoudsmonteur.

Reststroomonderbreker (E)

Als de installatie wordt beveiligd met een reststroomonderbreker die inschakelt wanneer het apparaat wordt aangesloten, kan dit worden veroorzaakt door vocht in het verwarmingselement. Als een apparaat met verwarmingselement lange tijd niet is gebruikt of in een vochtige omgeving is opgeslagen, kan er vocht in het element komen.

Dit moet niet worden gezien als een storing, maar kan eenvoudig worden verholpen door het apparaat via een contactdoos zonder een veiligheidsschakelaar op de netvoeding aan te sluiten, zodat het vocht uit het element kan worden verwijderd. De droogtijd kan variëren van enkele uren tot een paar dagen. Uit voorzorg moet de unit af en toe korte tijd draaien als deze langere tijd niet wordt gebruikt.

Verpakking

Verpakkingsmaterialen worden geselecteerd met aandacht voor het milieu en zijn daarom recyclebaar.

Hantering van product aan het einde van de levenscyclus

Dit product kan stoffen bevatten die noodzakelijk zijn voor het correct functioneren van het product, maar die mogelijk schadelijk zijn voor het milieu. Het product mag niet bij het algemene huishoudelijke afval worden gedaan, maar moet worden afgeleverd bij een speciaal inzamelpunt voor milieuverantwoordelijk recyclen. Neem contact op met de plaatselijke autoriteiten voor nadere informatie over het voor u dichtstbijzijnde inzamelpunt.

Veiligheid

- *Voor alle installaties van elektrisch verwarmde producten moet een reststroomonderbreker van 300 mA voor brandbeveiliging worden gebruikt.*
- *Houd het gebied rond de aanzuig- en uitblaasroosters vrij van obstakels!*
- *De unit mag niet geheel of gedeeltelijk worden bedekt, omdat oververhitting tot brandgevaar kan leiden!*
- *Voor het heffen van de unit moet gebruik worden gemaakt van hefapparatuur.*
- *Dit toestel kan worden gebruikt door kinderen vanaf 8 jaar en door personen met beperkte fysieke, sensorische of geestelijke capaciteiten of personen die gebrek aan kennis of ervaring hebben onder voorwaarde dat zij onder toezicht staan of afdoende instructies hebben gekregen over het veilige gebruik van het toestel en de mogelijke gevaren ervan begrijpen. Kinderen mogen niet met het toestel spelen. Reiniging en onderhoud van het toestel mogen niet worden uitgevoerd door kinderen, tenzij zij onder toezicht staan.*
- *Kinderen onder de 3 jaar dienen op afstand gehouden te worden, tenzij zij voortdurend onder toezicht staan.*
- *Kinderen tussen de 3 en 8 jaar mogen dit apparaat alleen aan- en uitzetten, mits het geplaatst en geïnstalleerd is in zijn daarvoor bedoelde normale werkstand. Ook dienen zij onder toezicht te staan of geïnstrueerd te zijn betreffende het veilig gebruik van het apparaat, en zich bewust zijn van de ermee verbonden risico's.*
- *Kinderen tussen de 3 en 8 jaar mogen het apparaat niet aansluiten, reguleren en schoonmaken of gebruikersonderhoud uitvoeren.*

WAARSCHUWING— *Sommige onderdelen van dit product kunnen erg heet worden en brandwonden veroorzaken. Er dient speciale aandacht te worden besteed aan plaatsen waar kinderen en kwetsbare personen aanwezig zijn.*

Vertaling voor inleidende pagina's

- Outside thread = Buitendraad
- Quantity included = Meegeleverde hoeveelheid
- pcs = Stuks
- Accessories = Accessoires
- See separate manual for xxx = Zie aparte handleiding voor xxx.
- Wiring diagrams for XXX and XXX, see manual for SIRE = Bedradingschema's voor xxx en xxx, zie de SIRE-handleiding.
- Note! The air curtain must be secured in the wall or ceiling. = Let op! Het luchtgordijn moet in de wand of het plafond worden bevestigd.

Technische specificaties

Output steps [kW]	= Capaciteitsstappen
Output* ^{5,6,7} [kW]	= Capaciteit
Airflow* ¹ [m ³ /h]	= Luchtstroom
Sound power* ² [dB(A)]	= Geluidsvermogen
Sound pressure* ³ [dB(A)]	= Geluidsdruk
Voltage motor [V]	= Voltage motor
Amperage motor [A]	= Stroomsterkte motor
Voltage / Amperage heat	= Voltage / Stroomsterkte verwarming
Water volume [l]	= Watervolume
Length [mm]	= Lengte
Weight [kg]	= Gewicht

*¹) Laagste/hoogste luchtstroom van in totaal 5 ventilatorstappen.

*²) Metingen van het geluidsvermogen (L_{WA}) volgens ISO 27327-2: 2014, installatietype E.

*³) Geluidsdruk (L_{pA}). Condities: Afstand tot de unit 5 meter. Richtingsfactor: 2. Equivalent absorptiegebied: 200 m². Bij laagste/hoogste luchtstroom.

*⁴) Δt = Temperatuurstijging van de passerende lucht op maximale verwarming en laagste/hoogste luchtstroom.

*⁵) Toepasbaar bij watertemperatuur 60/40 °C, luchttemperatuur +18 °C.

*⁶) Toepasbaar bij watertemperatuur 80/60 °C, luchttemperatuur 18 °C.

*⁷) Toepasbaar bij watertemperatuur 40/30 °C, luchttemperatuur 18 °C.

Beschermklasse voor eenheden met elektrische verwarming: IP20.

Beschermklasse voor eenheden zonder verwarming en eenheden met waterverwarming: IP21.

Voldoet aan CE.

Capaciteitstabellen water

Supply water temperature [°C]	= Aanvoerwatertemperatuur
Room temperature [°C]	= Kamertemperatuur
Outlet air temperature* ¹ [°C]	= Uitblaasttemperatuur
Water temperature [°C]	= Watertemperatuur
Fan position	= Ventilator positie
Airflow [m ³ /h]	= Luchtstroom
Output* ² [kW]	= Capaciteit
Return water temperature [°C]	= Retourwatertemperatuur
Water flow [l/s]	= Waterstroom
Pressure drop [kPa]	= Drukverlies

*¹) Aanbevolen uitblaasttemperatuur voor goed comfort en optimale output.

*²) Nominale output bij vaste aanvoer- en retourwatertemperatuur.

Zie www.frico.se voor meer berekeningen.



Main office

Frico AB
Industrivägen 41
SE-433 61 Sävedalen
Sweden

Tel: +46 31 336 86 00

mailbox@frico.se

www.frico.net

**For latest updated information and information
about your local contact: www.frico.net.**