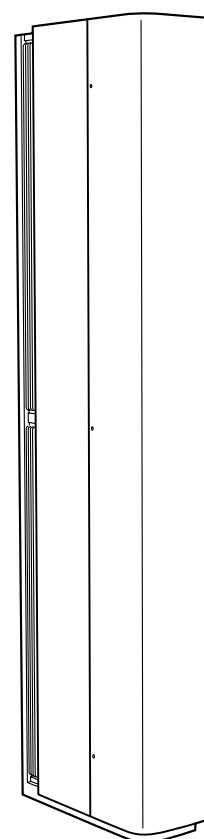
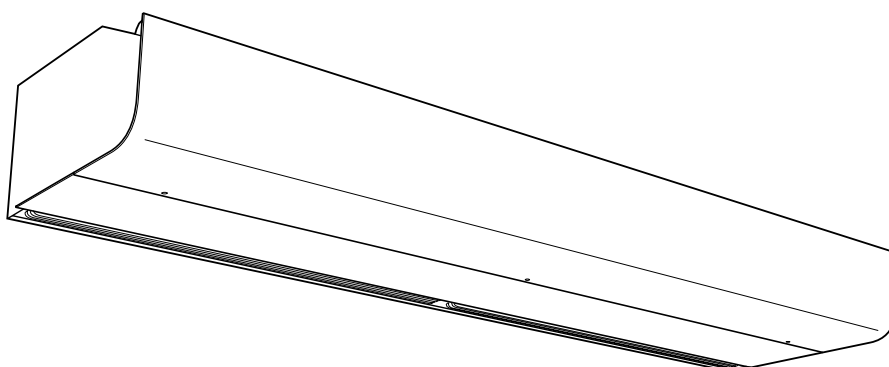


Original instructions
PA3500/4200



SE 27

EN ... 33

NO ... 38

DE ... 44

ES ... 51

FR ... 57

IT ... 64

NL ... 71

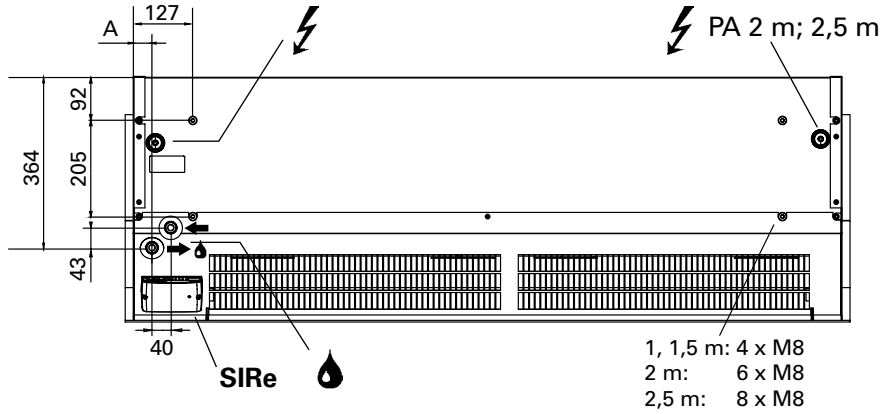
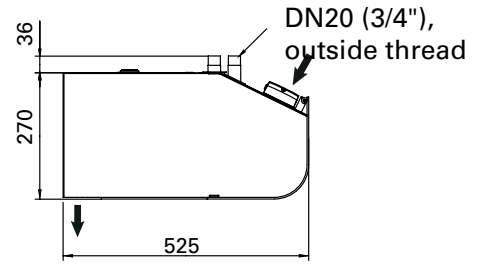
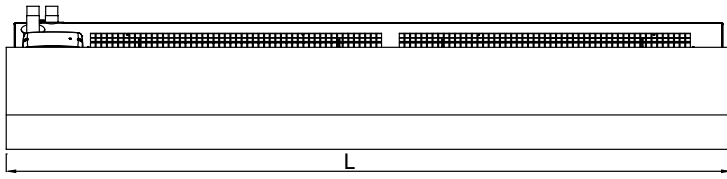
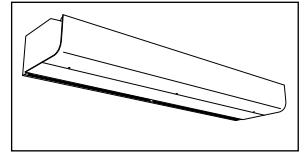
PL ... 78

RU ... 84

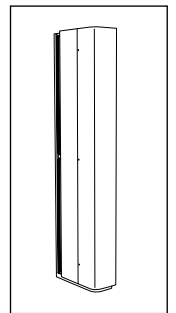
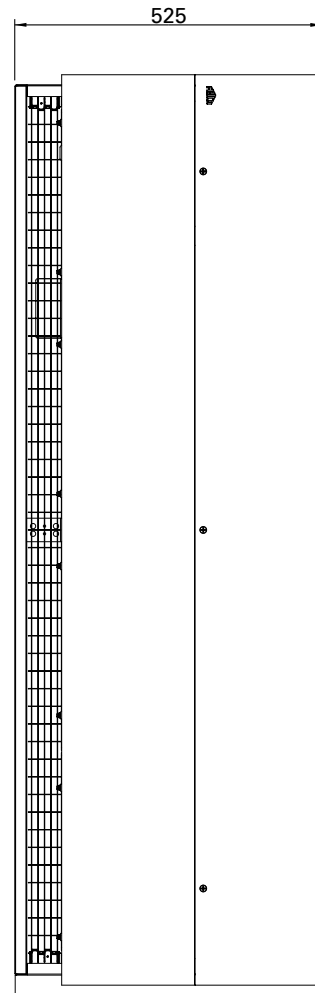
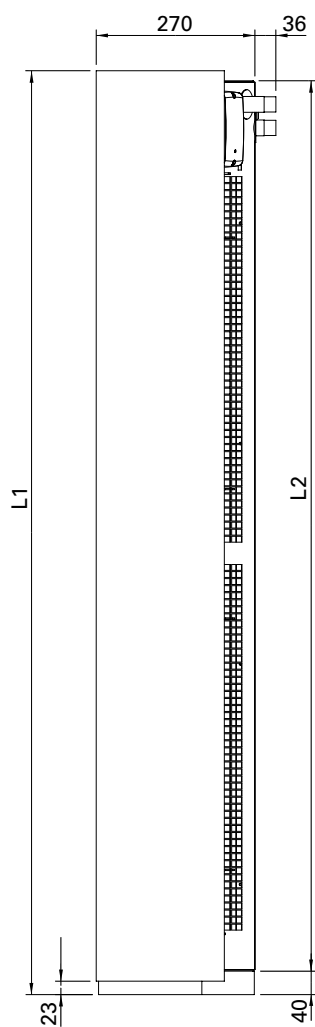
FI ... 90

- SE** Introduktionssidorna består huvudsakligen av bilder. För översättning av de engelska texter som används, se respektive språksidor.
- EN** The introduction pages consist mainly of pictures. For translation of the English texts used, see the respective language pages.
- NO** Introduksjonssidene består hovedsakelig av bilder. For oversettelse av de engelske tekstene, se de respektive språksidene.
- FR** Les pages de présentation contiennent principalement des images. Pour la traduction des textes en anglais, consultez la page correspondante à la langue souhaitée.
- DE** Die Einleitungsseiten bestehen hauptsächlich aus Bildern. Für die Übersetzung der verwendeten Texte in englischer Sprache, siehe die entsprechenden Sprachseiten.
- ES** Las páginas introductorias contienen básicamente imágenes. Consulte la traducción de los textos en inglés que las acompañan en las páginas del idioma correspondiente.
- NL** De inleidende pagina's bevatten hoofdzakelijk afbeeldingen. Voor een vertaling van de gebruikte Engelse teksten, zie de pagina's van de resp. taal.
- IT** Le pagine introduttive contengono prevalentemente immagini. Per le traduzioni dei testi scritti in inglese, vedere le pagine nelle diverse lingue.
- PL** Początkowe strony zawierają głównie rysunki. Tłumaczenie wykorzystanych tekstów angielskich znajduje się na odpowiednich stronach językowych.
- RU** Страницы в начале Инструкции состоят в основном из рисунков, схем и таблиц. Перевод встречающегося там текста приведен в разделе RU.
- FI** Esittelysivut koostuvat lähinnä kuvista. Suvuilla olevien enlanninkielisten sanojen käännökset löytyvät ko. kielisivuilta.

PA3500

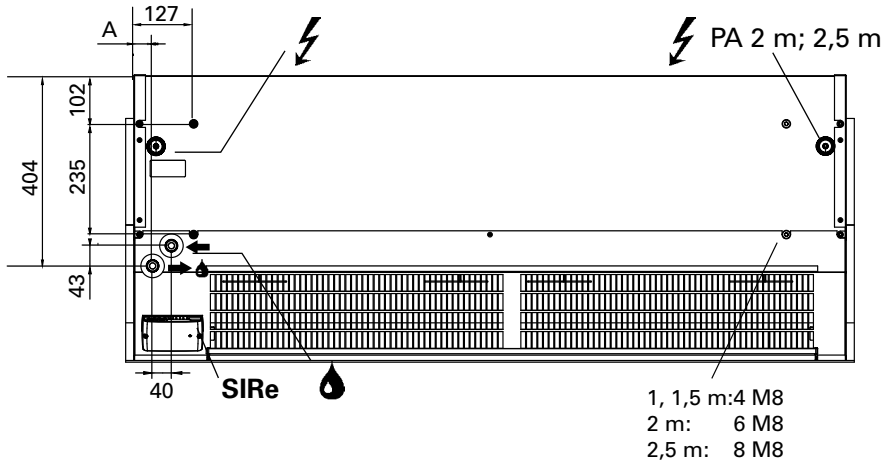
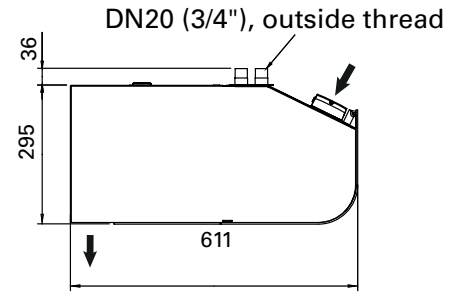
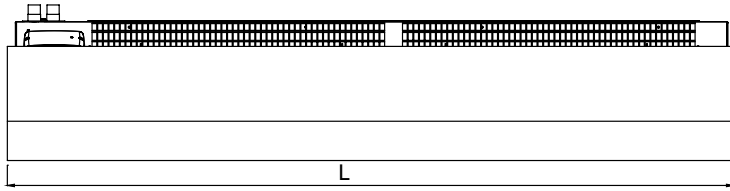
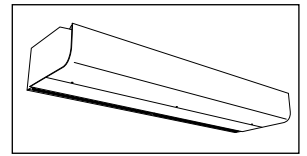


	L [mm]	A [mm]
PA3510	1039	40
PA3515	1549	40
PA3520	2039	40
PA3525	2549	39

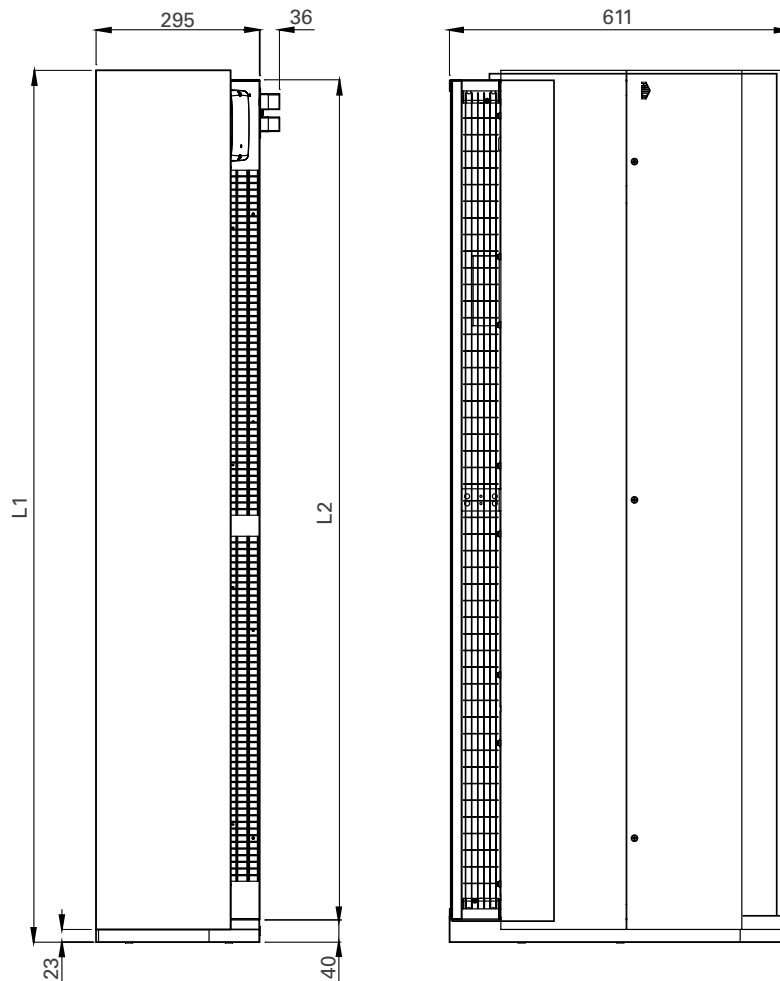


	L1 [mm]	L2 [mm]
PA3515	1572	1515
PA3520	2062	2004
PA3525	2572	2515

PA4200



	L [mm]	A [mm]
PA4210	1039	40
PA4215	1549	40
PA4220	2039	40
PA4225	2549	39



	L1 [mm]	L2 [mm]
PA4215	1572	1515
PA4220	2062	2004
PA4225	2572	2515

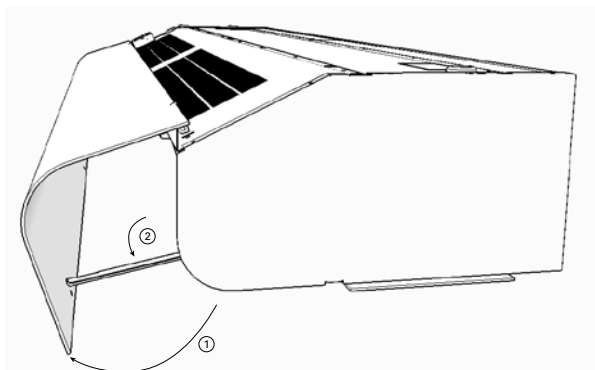


Fig. 1A: Open the unit by raising the front panel. The front is blocked in open position with the front hatch hook.

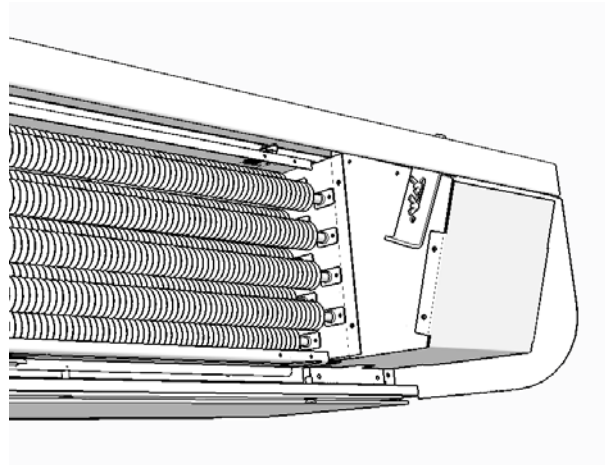


Fig. 1B: When the front has been removed it is important to be sure it is firmly seated in the front locks again.

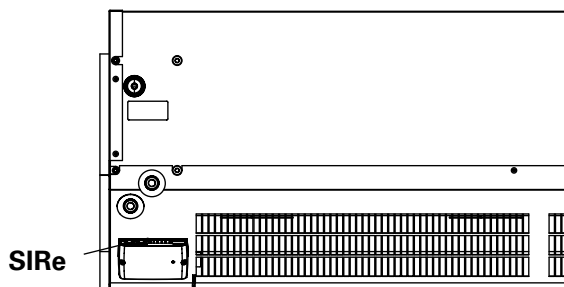


Fig. 2: Control card SIRe is integrated in the air curtain at delivery.

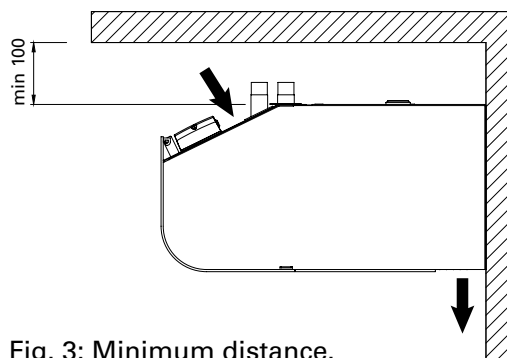


Fig. 3: Minimum distance.

Filling the water coil

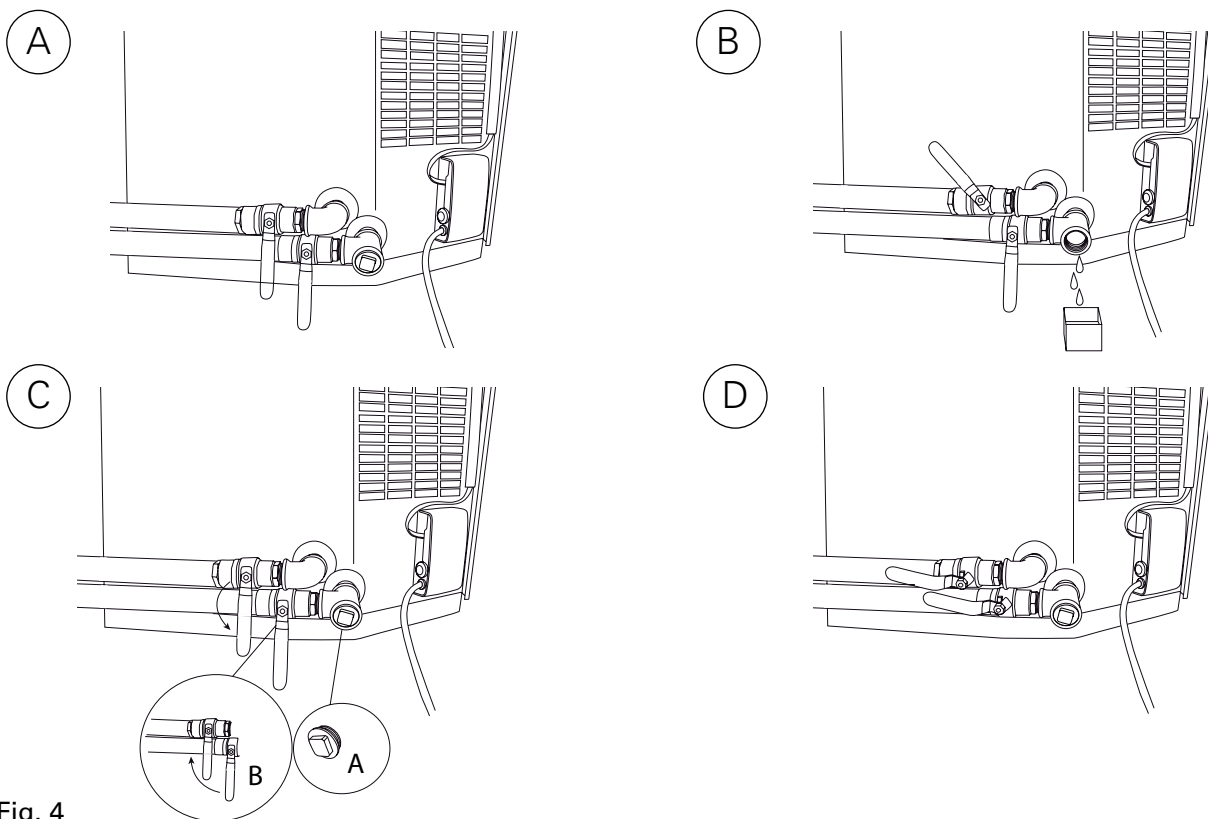
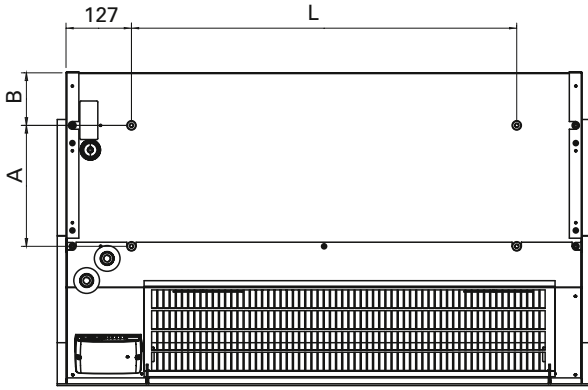


Fig. 4

PA3500/4200

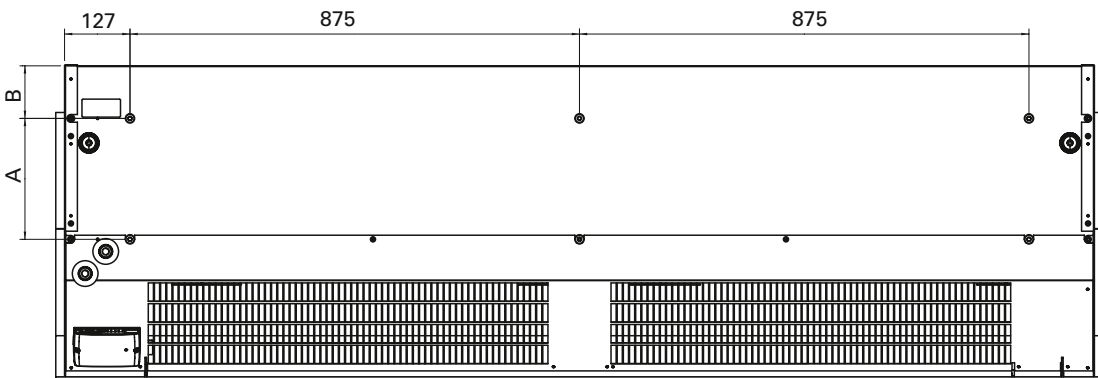
PA3510/PA3515/PA4210/PA4215



	A [mm]	B [mm]
PA3500	205	92
PA4200	235	102

	L [mm]
PA3510	750
PA4210	750
PA3515	1260
PA4215	1260

PA3520/PA4220



PA3525/PA4225

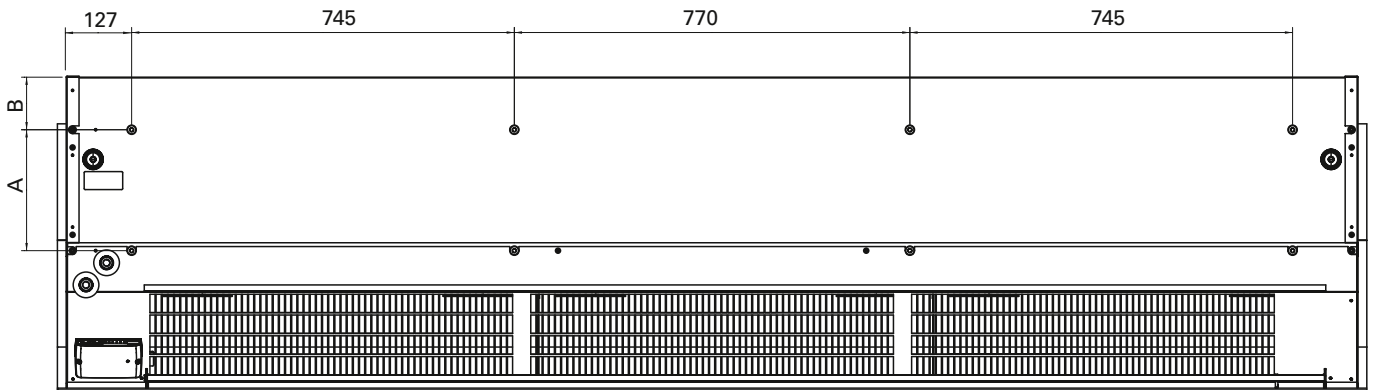


Fig. 5: M8-holes for mounting.

PA3500/4200 + PA34WB

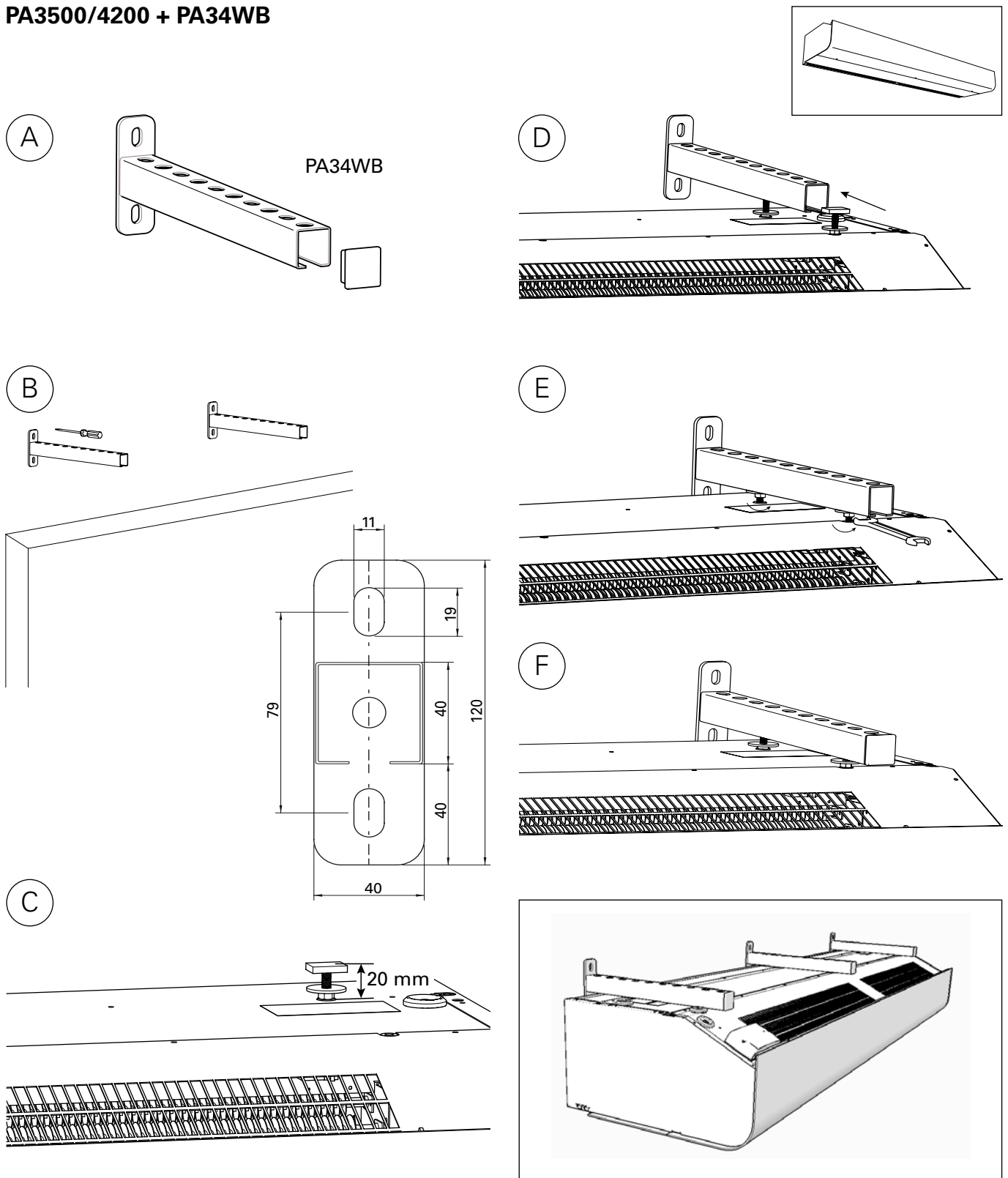


Fig. 6: See separate manual for PA34WB.

Type		Quantity included	Length	Fig.	E-nr (SE)	RSK-nr (SE)	EL-nr (NO)
PA34WB15	PA3510/15, PA4210/15	2 pcs	400 mm	Fig. 6	87 505 68	673 91 18	49 320 82
PA34WB20	PA3520, PA4220	3 pcs	400 mm	Fig. 6	87 505 69	673 91 19	49 320 83
PA34WB30	PA3525, PA4225	4 pcs	400 mm	Fig. 6	87 505 70	673 91 20	49 320 84

Accessories

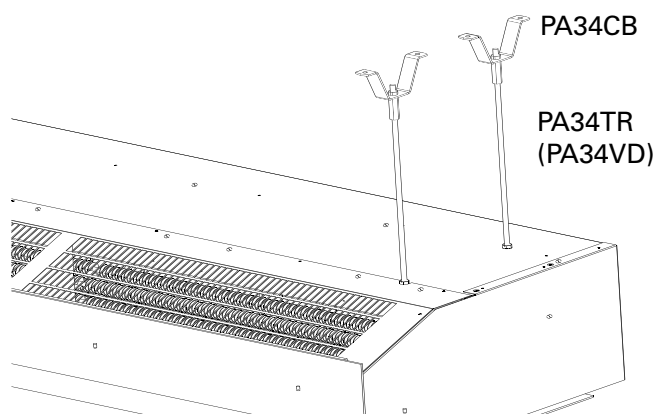


Fig. 7: PA34TR + PA34CB + PA34VD.
See separate manual for PA34TR.

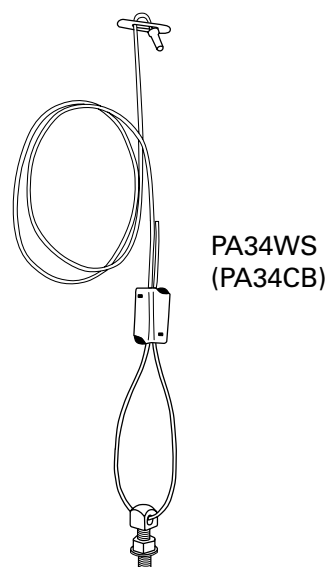
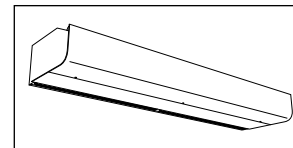


Fig.8: PA34WS + PA34CB
See separate manual for PA34WS.



Type		Quantity included	Length	E-nr (SE)	RSK-nr (SE)	EL-nr (NO)
PA34CB15	PA3510/15, PA4210/15	4 pcs		87 505 71	673 91 21	49 320 59
PA34CB20	PA3520, PA4220	6 pcs		87 505 72	673 91 22	49 320 60
PA34CB30	PA3525, PA4225	8 pcs		87 505 73	673 91 23	49 320 61
PA34WS15	PA3510/15, PA4210/15	4 pcs	3 m	87 505 37	673 90 97	49 322 05
PA34WS20	PA3520, PA4220	6 pcs	3 m	87 505 38	673 90 98	49 322 06
PA34WS30	PA3525, PA4225	8 pcs	3 m	87 505 39	673 90 99	49 322 07
PA34TR15	PA3510/15, PA4210/15	4 pcs	1 m	87 505 32	673 90 94	
PA34TR20	PA3520, PA4220	6 pcs	1 m	87 505 34	673 90 95	
PA34TR30	PA3525, PA4225	8 pcs	1 m	87 505 35	673 90 96	
PA34VD15	PA3510/15, PA4210/15	4 pcs		87 505 74	673 91 24	
PA34VD20	PA3520, PA4220	6 pcs		87 505 75	673 91 25	49 320 96
PA34VD30	PA3525, PA4225	8 pcs		87 505 76	673 91 26	49 320 97

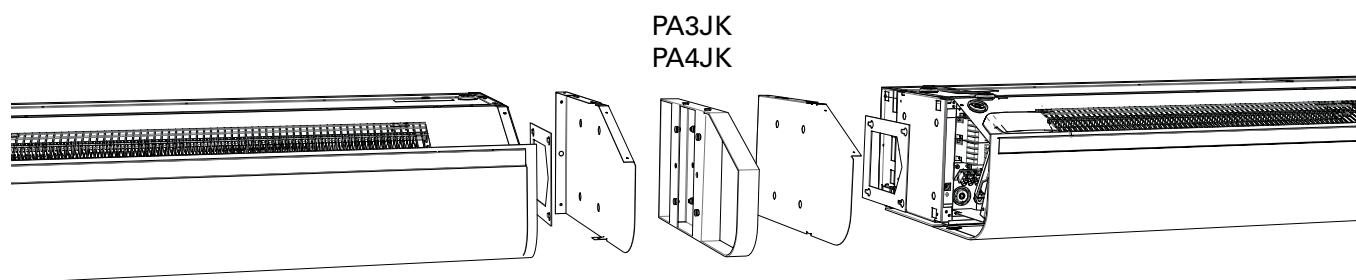


Fig. 9: See separate manual for PA3JK / PA4JK.

Type		E-nr (SE)	RSK-nr (SE)	EL-nr (NO)
PA3JK	PA3500	87 515 22	673 11 96	54 300 07
PA4JK	PA4200	87 515 23	673 11 97	54 300 08

Accessories

Type		Length	E-nr (SE)	RSK-nr (SE)
PA3XT10	PA3510	130-200 mm	87 505 42	673 91 00
PA3XT15	PA3515	130-200 mm	87 505 43	673 91 01
PA3XT20	PA3520	130-200 mm	87 505 44	673 91 02
PA3XT25	PA3525	130-200 mm	87 505 45	673 91 03
PA4XT10	PA4210	130-200 mm	87 505 46	673 91 04
PA4XT15	PA4215	130-200 mm	87 505 47	673 91 05
PA4XT20	PA4220	130-200 mm	87 505 48	673 91 06
PA4XT25	PA4225	130-200 mm	87 505 49	673 91 07

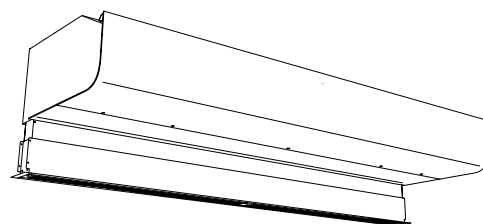
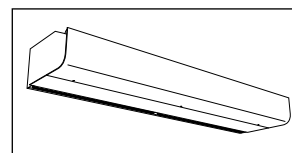
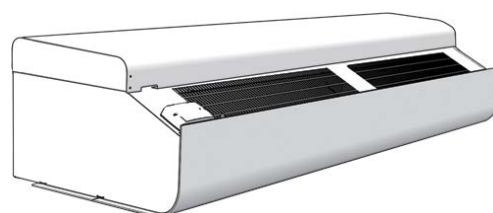


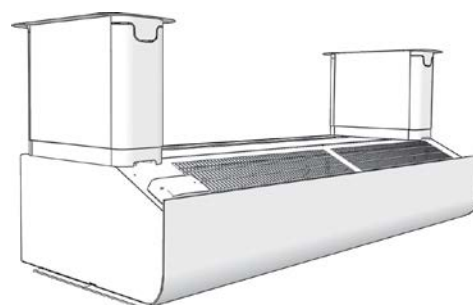
Fig. 10: See separate manual for PA3XT / PA4XT.

Type		Dimensions	E-nr (SE)	RSK-nr (SE)
PA3DW10	PA3510	87x382x1006 mm	87 505 77	673 91 27
PA3DW15	PA3515	87x382x1516 mm	87 505 78	673 91 28
PA3DW20	PA3520	87x382x2006 mm	87 505 79	673 91 29
PA3DW25	PA3525	87x382x2516 mm	87 505 80	673 91 30
PA4DW10	PA4210	87x424x1006 mm	87 505 81	673 91 31
PA4DW15	PA425	87x424x1516 mm	87 505 82	673 91 32
PA4DW20	PA4220	87x424x2006 mm	87 505 83	673 91 33
PA4DW25	PA4225	87x424x2516 mm	87 505 84	673 91 34



See separate manual for PA3DW/ PA4DW.

Type		Length	E-nr (SE)	RSK-nr (SE)
PA3DCS	PA3500	200-300 mm	87 505 60	673 91 08
PA3DCM	PA3500	300-500 mm	87 505 61	673 91 09
PA3DCL	PA3500	500-900 mm	87 505 62	673 91 10
PA3DXT	PA3500	420 mm	87 505 63	673 91 11
PA4DCS	PA4200	200-300 mm	87 505 64	673 91 12
PA4DCM	PA4200	300-500 mm	87 505 65	673 91 13
PA4DCL	PA4200	500-900 mm	87 505 66	673 91 14
PA4DXT	PA4200	420 mm	87 505 67	673 91 15



See separate manual for PA3DC / PA4DC.

PA3510, PA4210: 2 pcs
 PA3515, PA4215: 2 pcs
 PA3520, PA4220: 3 pcs
 PA3525, PA4225: 4 pcs

Accessories

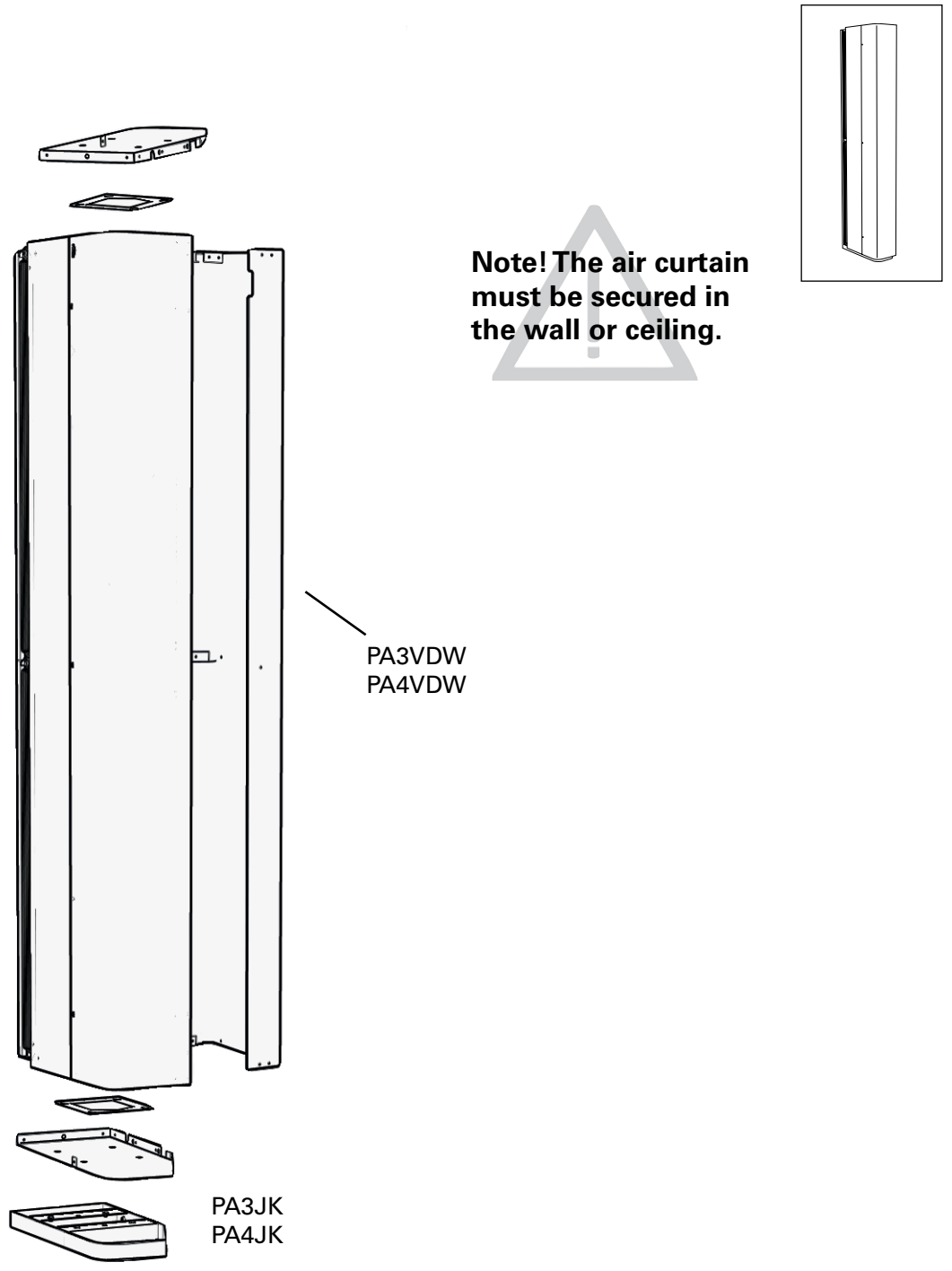
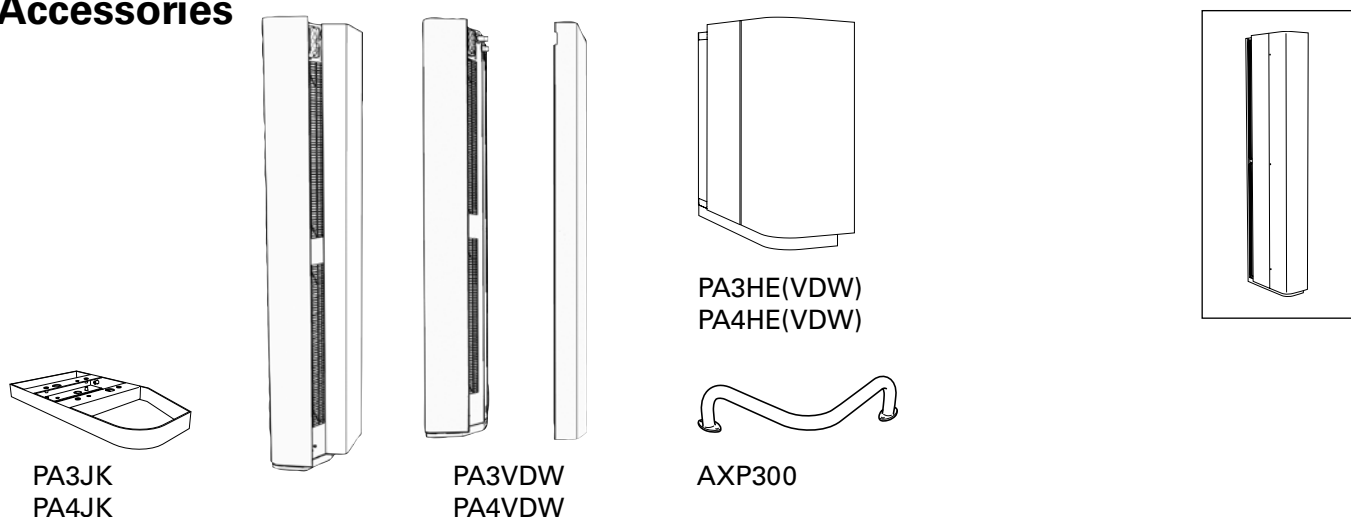
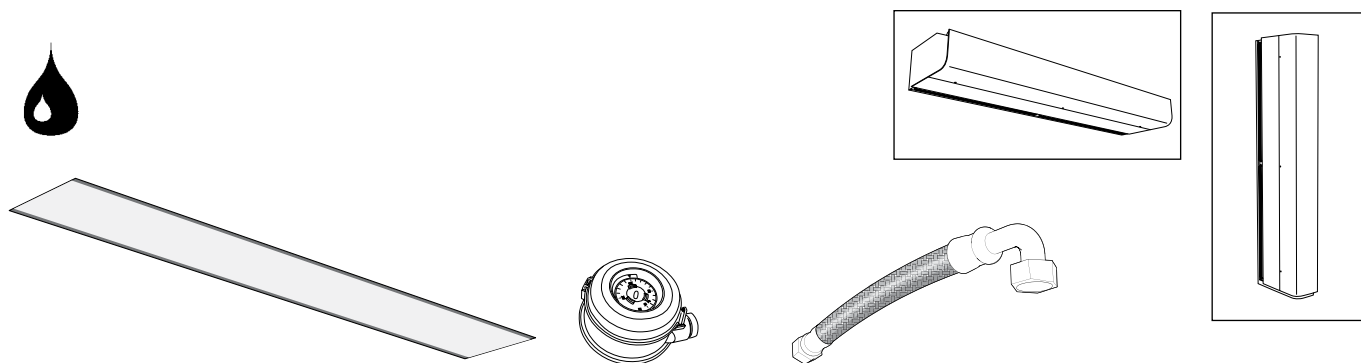


Fig. 11: See separate manual for PA3JK / PA4JK.

Accessories



Type		E-nr (SE)	RSK-nr (SE)	EL-nr (NO)	NRF-nr (NO)
PA3JK	PA3500	87 515 22	673 11 96	54 300 07	85 023 71
PA4JK	PA4200	87 515 23	673 11 97	54 300 08	85 023 72
PA3VDW15	PA3515	87 515 16	673 20 83	54 300 01	
PA3VDW20	PA3520	87 515 17	673 20 84	54 300 02	
PA3VDW25	PA3525	87 515 18	673 20 85	54 300 03	
PA4VDW15	PA4215	87 515 19	673 20 86	54 300 04	
PA4VDW20	PA4220	87 515 20	673 20 87	54 300 05	
PA4VDW25	PA4225	87 515 21	673 20 88	54 300 05	
PA3HE	PA3500				
PA4HE	PA4200				
PA3HEVDW	PA3500				
PA4HEVDW	PA4200				
AXP300	PA3500/4200	87 514 87	672 69 77		



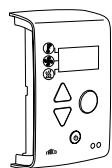
See separate manual for PA34EF.

DTV200S

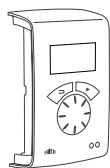
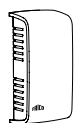
See separate manual for FHDN20.

Type		Length	RSK-nr (SE)
PA34EF10	PA3510W, PA4210W		673 20 95
PA34EF15	PA3515W, PA425W		673 20 96
PA34EF20	PA3520W, PA4220W		673 20 97
PA34EF25	PA3525W, PA4225W		673 20 98
DTV200S	PA3500/4200W		673 91 16
FHDN20	PA3500/4200W	350 mm	673 91 17
FHDN2010	PA3500/4200W	1000 mm	670 45 65

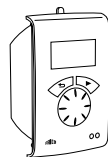
Accessories



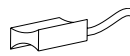
SIReBN

SIReACY
SIReAAY

SIReRTX



SIReUR



SIReWTA



SIReCJ4/SIReCJ6



SIReCC

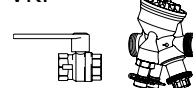
Type	E-nr (SE)	RSK-nr (SE)	EL-nr (NO)	NRF-nr (NO)	Dimensions	Length
SIReBN	87 506 57	673 19 43	54 090 04	85 025 82		
SIReACY	87 506 61	673 21 00	54 090 08	85 025 85		
SIReAAY	87 506 62	673 24 06	54 090 09	85 025 86		
SIReRTX	87 510 12	673 09 22	54 910 01	85 022 94	70x33x23 mm	
SIReUR	87 510 11	673 09 21	49 325 00	85 022 93	114x70x50 mm	
SIReWTA		673 09 69				
SIReCJ4	87 510 33	673 09 70	54 910 02			
SIReCJ6	87 510 34	673 09 71		85 025 24		
SIReCC603	87 510 13	673 09 23	54 329 01	85 022 95		3 m
SIReCC605	87 510 14	673 09 24	54 329 02	85 022 96		5 m
SIReCC610	87 510 15	673 09 25	54 329 03	85 022 97		10 m
SIReCC615	87 510 16	673 09 26	54 329 04	85 022 98		15 m
SIReCC640	87 510 45	673 18 79				40 m
SIReCC403	87 510 17	673 09 27	54 329 05	85 022 99		3 m
SIReCC405	87 510 18	673 09 28	54 329 06	85 023 01		5 m
SIReCC410	87 510 19	673 09 29	54 329 07	85 023 02		10 m
SIReCC415	87 510 20	673 09 30	54 329 08	85 023 03		15 m



Type	RSK-nr (SE)	NRF-nr (NO)	Connection
VLSP15LF	670 45 35		DN15
VLSP15NF	670 45 36	85 026 36	DN15
VLSP20	670 45 37	85 026 37	DN20
VLSP25	670 45 38	85 026 38	DN25
VLSP32	670 45 39	85 026 39	DN32
VLP15LF	670 45 30	67 309 47	DN15
VLP15NF	670 45 31	85 026 31	DN15
VLP20	670 45 32	85 026 32	DN20
VLP25	670 45 33	85 026 33	DN25
VLP32	670 45 34	85 026 34	DN32
VOT15	673 61 93	85 024 05	DN15
VOT20	673 61 94	85 024 06	DN20
VOT25	673 61 95	85 024 07	DN25
VMT15			DN15
VMT20			DN20
VMT25			DN25

VLSP

VKF



SD230



BPV10

VLP

VKF



SDM24



ST23024

VOT



TRVS



SD230

VMT



TRVS

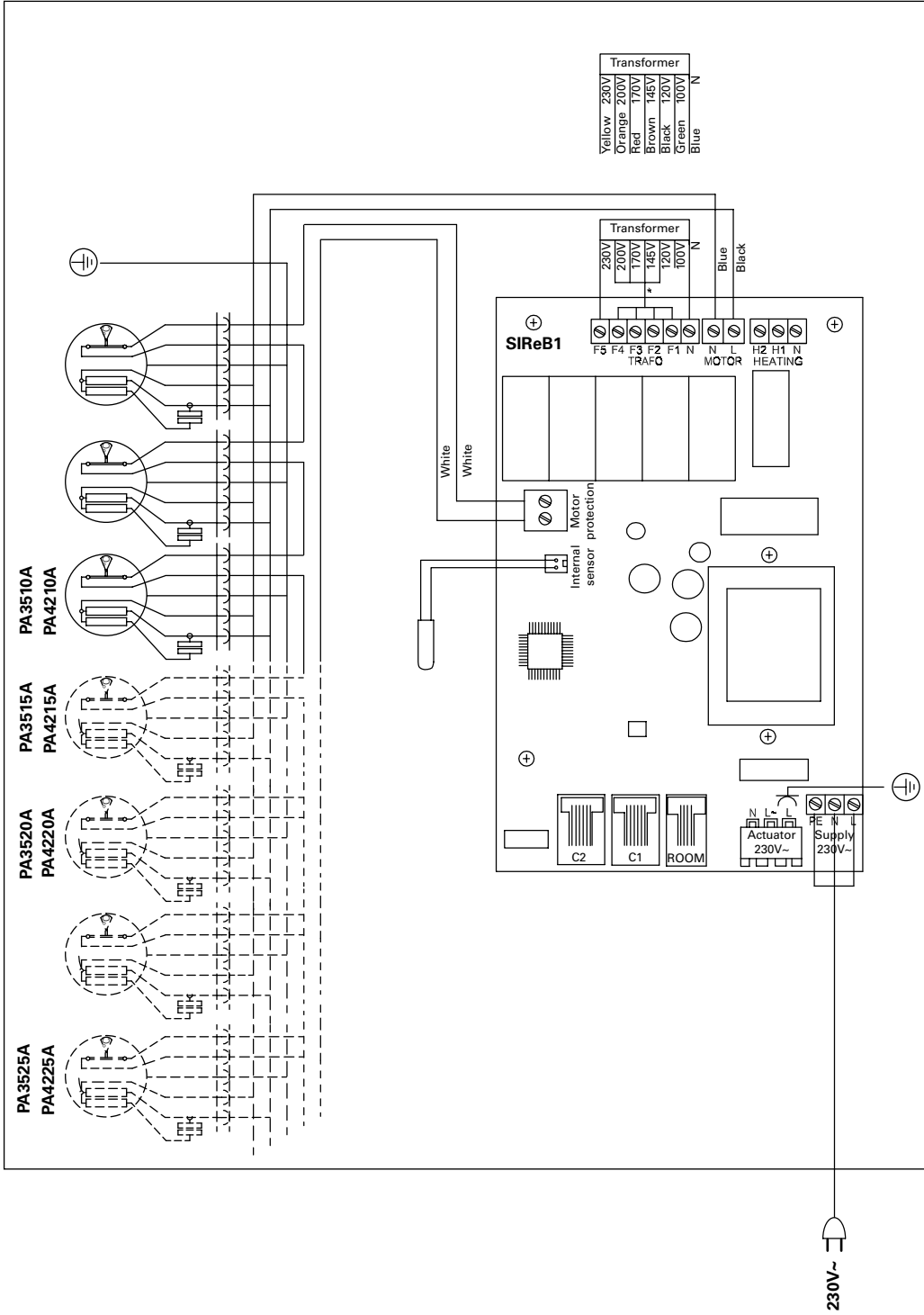


SDM24

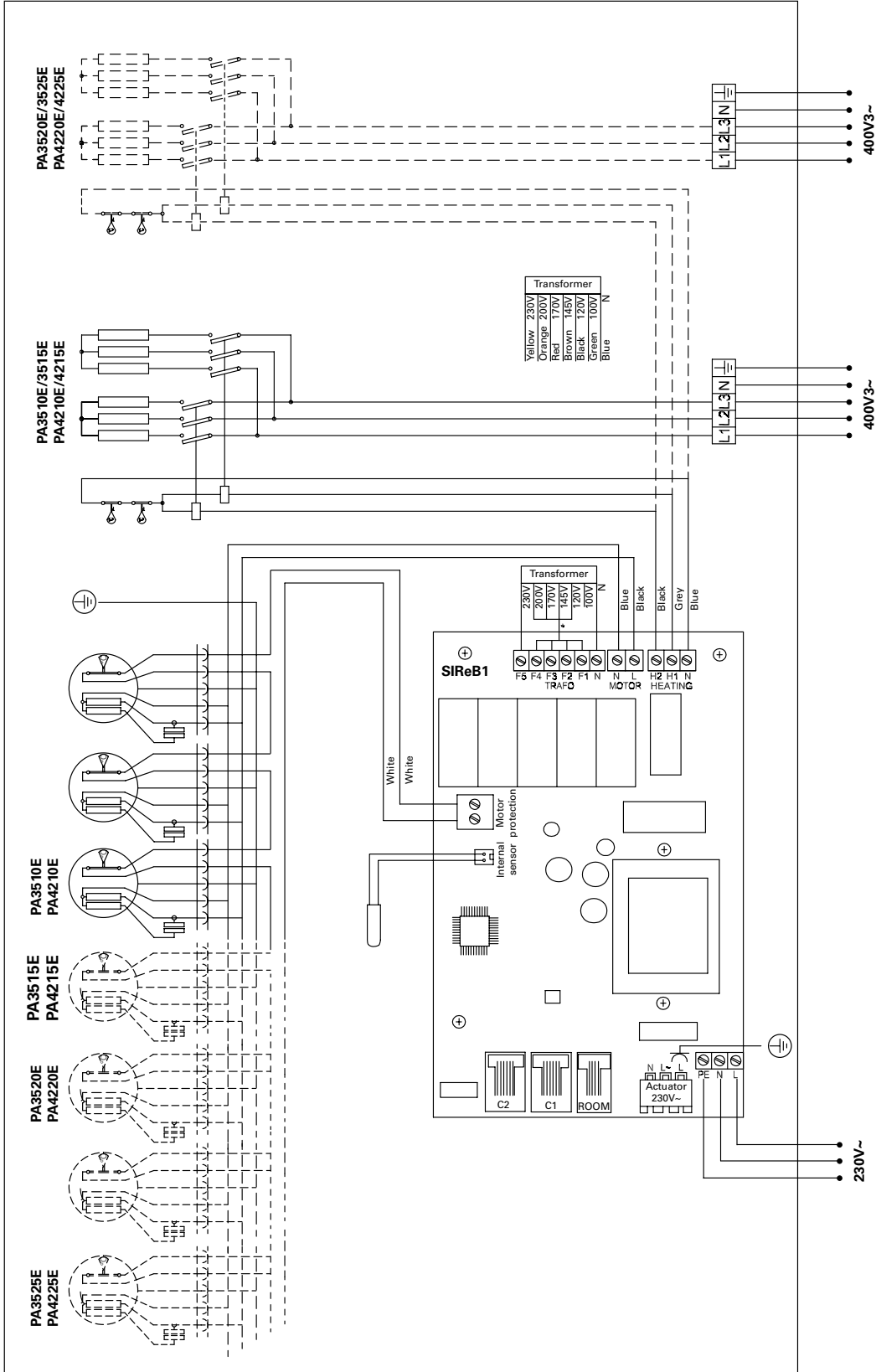


ST23024

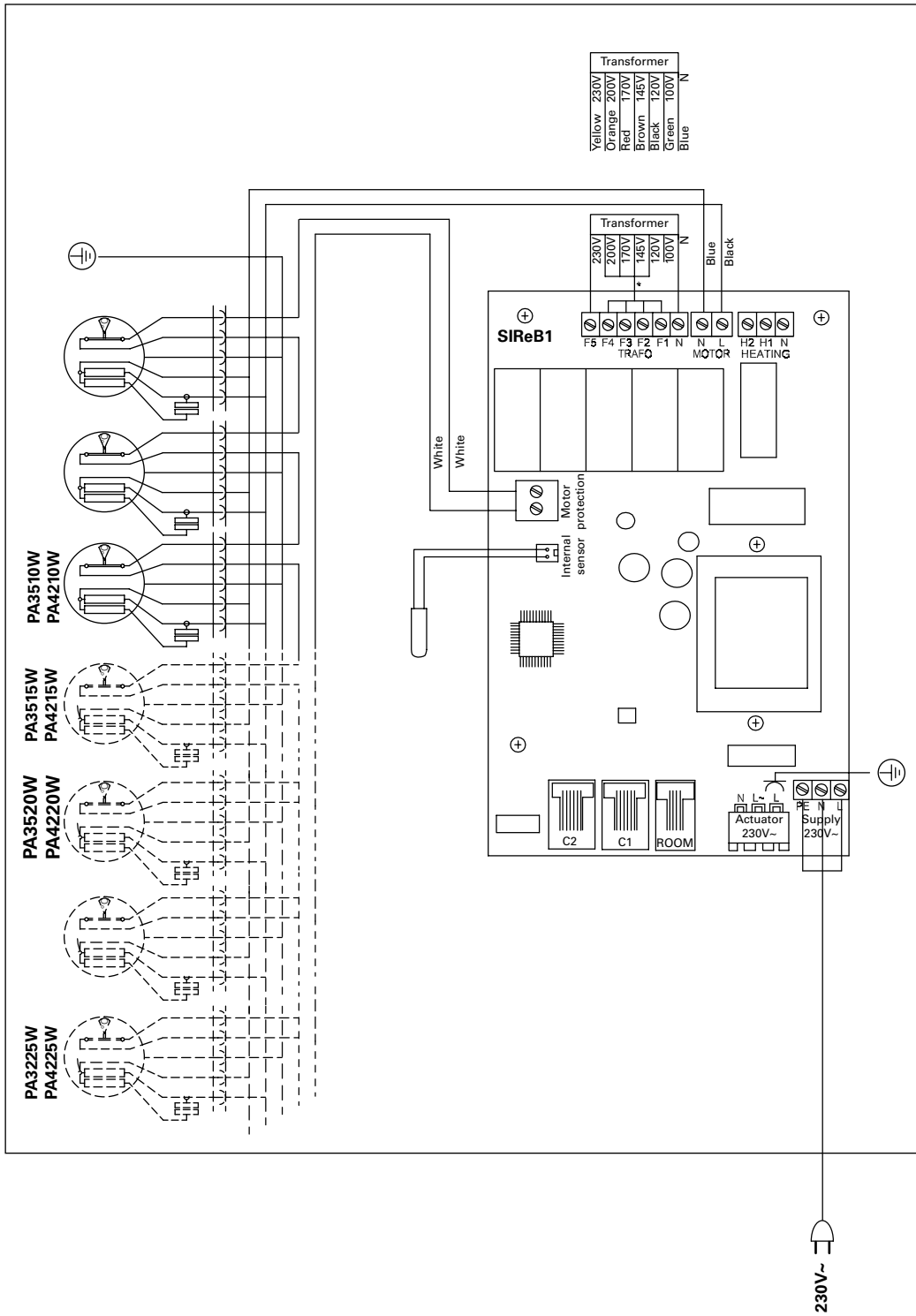
PA3500 A
PA4200 A



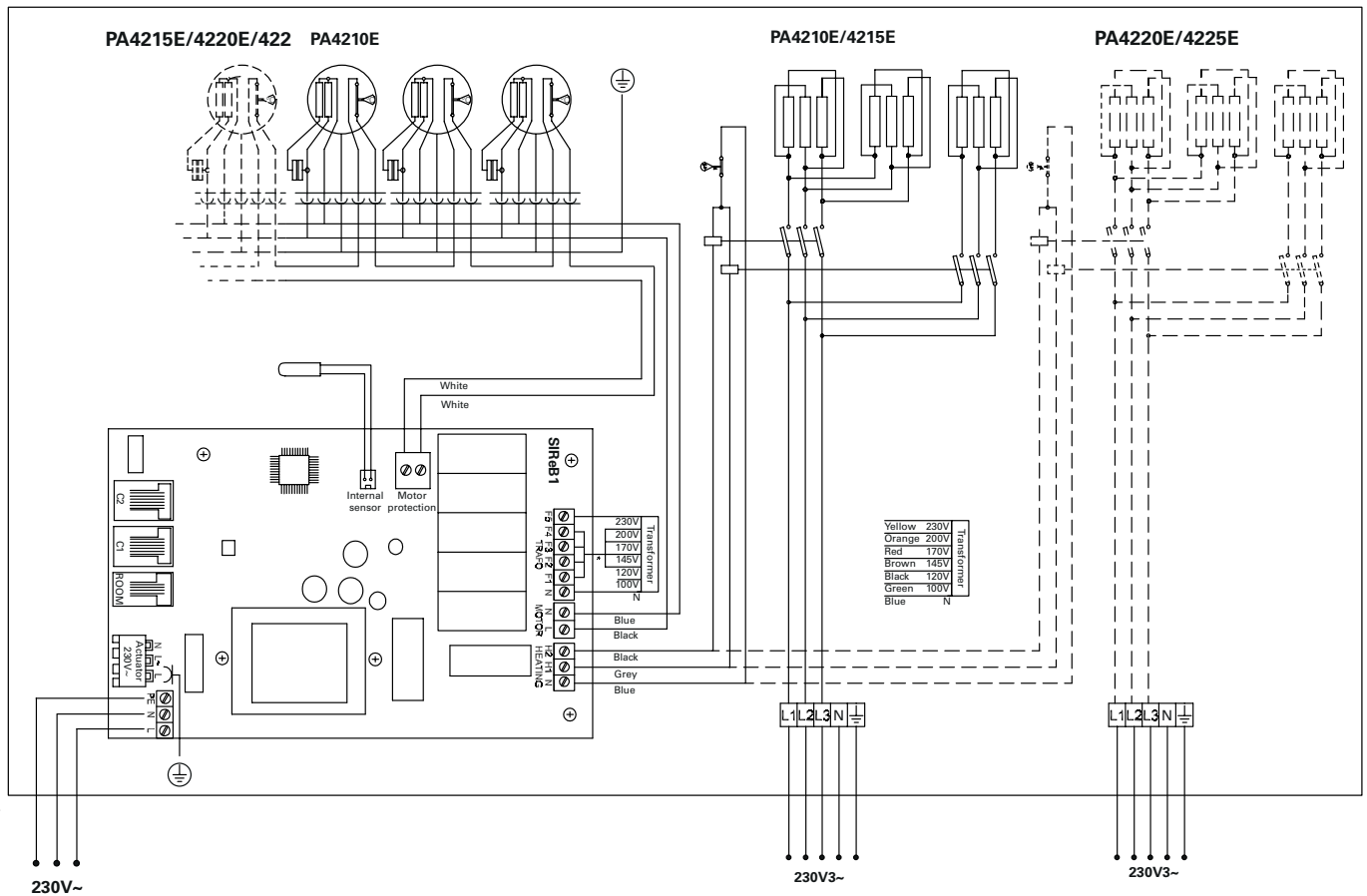
PA3500 E
PA4200 E



PA3500 W
PA4200 W



PA3500 E 230V3~
PA4200 E 230V3~



Type	Output step [kW]	Airflow*1 [m³/h]	Δt*3 [°C]	Sound level*2 [dB(A)]	Motor [W]	Voltage motor [V]	Amp. motor [A]	Voltage [V] Amperage [A] (heat)	Length [mm]	Weight [kg]
PA3510E08D	2,7/5,4/8,1	900/2000	27/12	41/61	580	230V~	2,6	230V3~/20,3	1039	44
PA3515E12D	3,9/7,8/12	1400/3100	26/12	42/62	880	230V~	3,9	230V3~/29,3	1549	63
PA3520E16D	5,4/11/16	1750/4000	28/12	43/63	1130	230V~	5,0	230V3~/40,5	2039	80
PA3525E20D	6,6/13/20	2400/5250	25/11,5	44/64	1500	230V~	6,5	230V3~/49,5	2549	104

Type	Output step [kW]	Airflow*1 [m³/h]	Δt*3 [°C]	Sound level*2 [dB(A)]	Motor [W]	Voltage motor [V]	Amp. motor [A]	Voltage [V] Amperage [A] (heat)	Length [mm]	Weight [kg]
PA4210E12D	3,9/7,8/12	950/2400	38/15	46/66	920	230V~	4,0	230V3~/30	1039	50
PA4215E18D	6,0/12/18	1300/3500	42/16	47/67	1260	230V~	5,5	230V3~/45	1549	71
PA4220E24D	7,8/15/23	1900/4800	37/14	48/68	1840	230V~	8,0	230V3~/60	2039	94
PA4225E30D	9,9/20/30	2300/5900	39/15	49/69	2140	230V~	9,3	230V3~/75	2549	113

*1) Lowest/highest airflow of totally 5 fan steps.

*2) Conditions: Distance to the unit 5 metres. Directional factor: 2. Equivalent absorption area: 200 m².

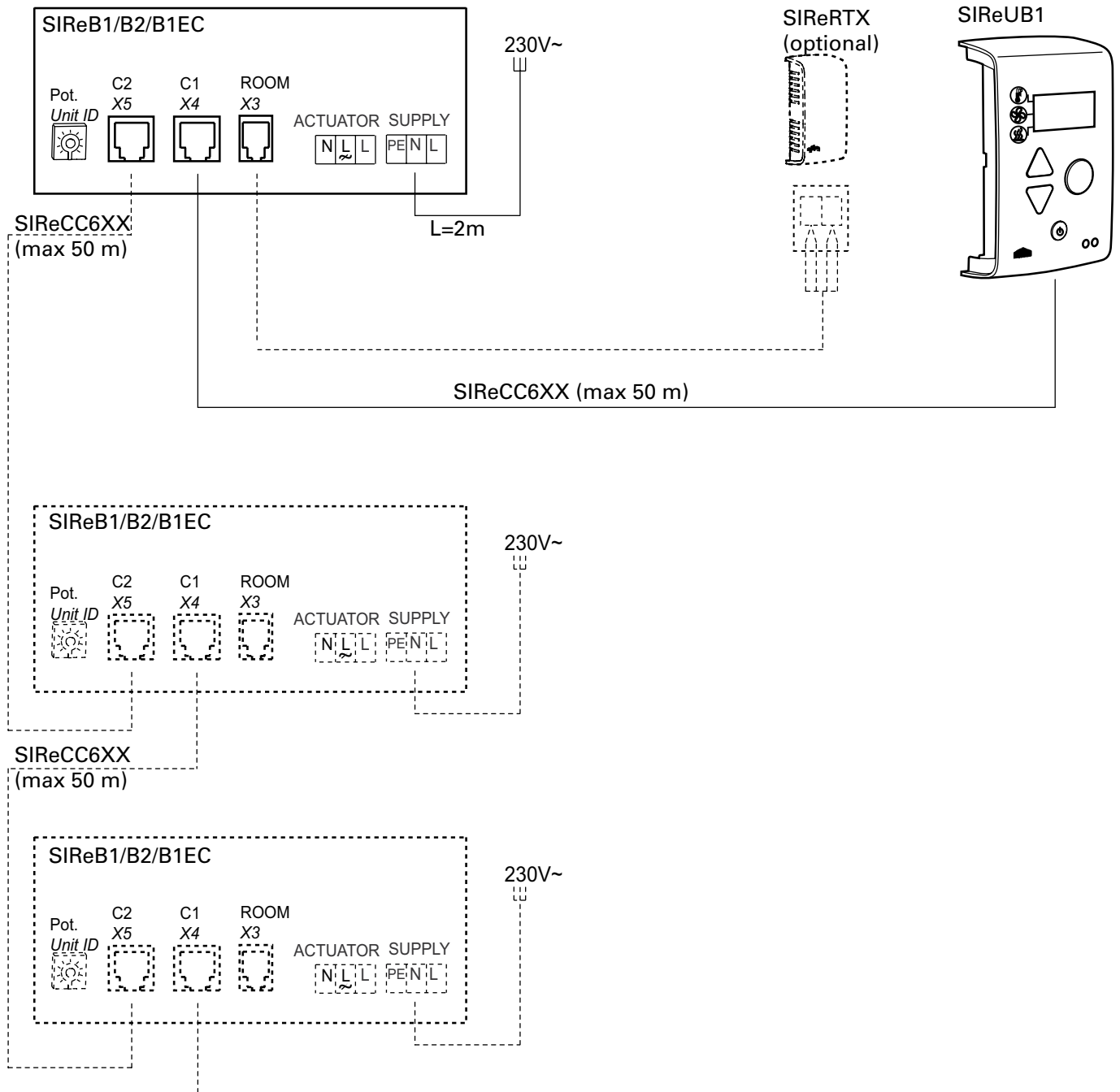
*3) Δt = temperature rise of passing air at maximum heat output and lowest/highest airflow.

Protection class for units with electrical heating: IP20.

CE compliant.

SIReB Basic

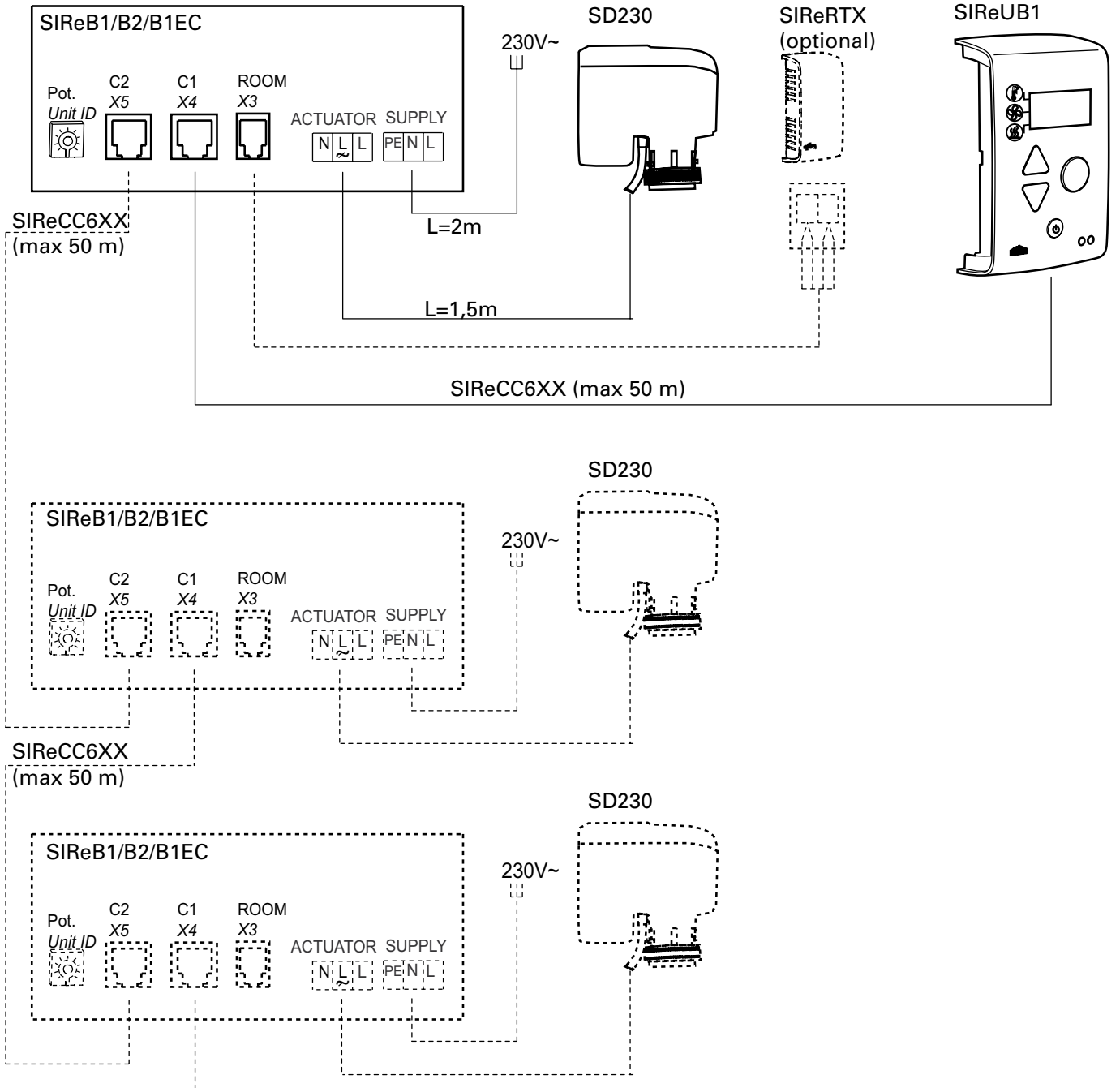
**PA3500/4200 A
PA3500/4200 E**



Wiring diagrams for SIReAC Competent, see manual for SIRe.

SIReB Basic

PA3500/4200 W



Wiring diagrams for SIReAC Competent and SIReAA Advanced, see manuals for SIRe.

Technical specifications PA3500

Voltage motor: 230V~

✦ Ambient, no heat - PA3500 A

Type	Output [kW]	Airflow* ¹ [m ³ /h]	Sound power* ² [dB(A)]	Sound pressure* ³ [dB(A)]	Motor [W]	Voltage motor [V]	Amperage motor [A]	Length [mm]	Weight [kg]
PA3510A	0	900/2000	78	41/61	580	230V~	2,6	1039	36
PA3515A	0	1400/3100	79	42/62	880	230V~	3,9	1549	50
PA3520A	0	1750/4000	79	43/63	1130	230V~	5,0	2039	65
PA3525A	0	2400/5250	80	44/64	1500	230V~	6,5	2549	79

ℓ Electrical heat - PA3500 E

Type	Output step [kW]	Airflow* ¹ [m ³ /h]	Δt * ⁴ [°C]	Sound power* ² [dB(A)]	Sound pressure* ³ [dB(A)]	Motor [W]	Amperage motor [A]	Voltage [V] Amperage [A] (heat)	Length [mm]	Weight [kg]
PA3510E08	2,7/5,4/8,1	900/2000	27/12	78	41/61	580	2,6	400V3~/11,7	1039	44
PA3515E12	3,9/7,8/12	1400/3100	26/12	79	42/62	880	3,9	400V3~/16,9	1549	63
PA3520E16	5,4/11/16	1750/4000	28/12	80	43/63	1130	5,0	400V3~/23,4	2039	80
PA3525E20	6,6/13/20	2400/5250	25/11,5	81	44/64	1500	6,5	400V3~/28,6	2549	104

♠ Water heat - PA3500 WL

Type	Output* ⁵ [kW]	Airflow* ¹ [m ³ /h]	Δt * ^{4,5} [°C]	Water volume [l]	Sound power* ² [dB(A)]	Sound pressure* ³ [dB(A)]	Motor [W]	Amperage motor [A]	Length [mm]	Weight [kg]
PA3510WL	12	950/1900	23/19	1,5	76	43/60	540	2,35	1039	43
PA3515WL	19	1350/2900	25/20	2,4	77	44/61	770	3,4	1549	60
PA3520WL	26	1800/3900	25/20	3,3	78	45/62	970	4,3	2039	75
PA3525WL	35	2300/5100	25/20	4,2	79	46/63	1310	5,7	2549	95

♠ Water heat - PA3500 WH

Type	Output* ⁶ [kW]	Airflow* ¹ [m ³ /h]	Δt * ^{4,6} [°C]	Water volume [l]	Sound power* ² [dB(A)]	Sound pressure* ³ [dB(A)]	Motor [W]	Amperage motor [A]	Length [mm]	Weight [kg]
PA3510WH	10	950/1900	21/16	1,0	76	43/60	540	2,35	1039	42
PA3515WH	16	1350/2900	22/17	1,6	77	44/61	770	3,4	1549	58
PA3520WH	23	1800/3900	23/17	2,2	78	45/62	970	4,3	2039	73
PA3525WH	29	2300/5100	23/17	2,9	79	46/63	1310	5,7	2549	92

♠ Water heat - PA3500 WLL

Type	Output* ⁷ [kW]	Airflow* ¹ [m ³ /h]	Δt * ^{4,7} [°C]	Water volume [l]	Sound power* ² [dB(A)]	Sound pressure* ³ [dB(A)]	Motor [W]	Amperage motor [A]	Length [mm]	Weight [kg]
PA3510WLL	7,6	900/1850	14/12	2,0	75	43/60	460	2,0	1039	44
PA3515WLL	11	1300/2750	14/12	4,1	76	44/61	740	3,25	1549	63
PA3520WLL	16	1700/3700	15/13	5,6	77	45/62	920	4,0	2039	78
PA3525WLL	21	2250/4900	15/13	8,3	78	46/63	1280	5,6	2549	100

*1) Lowest/highest airflow of totally 5 fan steps.

*2) Sound power (L_{WA}) measurements according to ISO 27327-2: 2014, Installation type E.

*3) Sound pressure (L_{pA}). Conditions: Distance to the unit 5 metres. Directional factor: 2. Equivalent absorption area: 200 m². At lowest/highest airflow.

*4) Δt = temperature rise of passing air at maximum heat output and lowest/highest airflow.

*5) Applicable at water temperature 60/40 °C, air temperature, in +18 °C.

*6) Applicable at water temperature 80/60 °C, air temperature, in +18 °C.

*7) Applicable at water temperature 40/30 °C, air temperature, in +18 °C.

Protection class for units with electrical heating: IP20.

Protection class for units without heating and units with water heating: IP21.

CE compliant.

Technical specifications PA4200

Voltage motor: 230V~

✦ Ambient, no heat - PA4200 A

Type	Output [kW]	Airflow* ¹ [m ³ /h]	Sound power* ² [dB(A)]	Sound pressure* ³ [dB(A)]	Motor [W]	Voltage motor [V]	Amperage motor [A]	Length [mm]	Weight [kg]
PA4210A	0	950/2400	82	46/66	920	230V~	4,0	1039	43
PA4215A	0	1300/3500	83	47/67	1260	230V~	5,5	1549	56
PA4220A	0	1900/4800	84	48/68	1840	230V~	8,0	2039	75
PA4225A	0	2300/5900	85	49/69	2140	230V~	9,3	2549	91

⚡ Electrical heat - PA4200 E

Type	Output step [kW]	Airflow* ¹ [m ³ /h]	Δt * ⁴ [°C]	Sound power* ² [dB(A)]	Sound pressure* ³ [dB(A)]	Motor [W]	Amperage motor [A]	Voltage [V] Amperage [A] (heat)	Length [mm]	Weight [kg]
PA4210E12	3,9/7,8/12	950/2400	38/15	82	46/66	920	4,0	400V3~/16,9	1039	50
PA4215E18	6,0/12/18	1300/3500	42/16	83	47/67	1260	5,5	400V3~/26,0	1549	71
PA4220E24	7,8/15/23	1900/4800	37/14	84	48/68	1840	8,0	400V3~/33,8	2039	94
PA4225E30	9,9/20/30	2300/5900	39/15	85	49/69	2140	9,3	400V3~/42,9	2549	113

💧 Water heat - PA4200 WL

Type	Output* ⁵ [kW]	Airflow* ¹ [m ³ /h]	Δt * ^{4,5} [°C]	Water volume [l]	Sound power* ² [dB(A)]	Sound pressure* ³ [dB(A)]	Motor [W]	Amperage motor [A]	Length [mm]	Weight [kg]
PA4210WL	16	1050/2600	25/18	1,9	80	44/64	920	4,0	1039	50
PA4215WL	25	1600/3800	25/19	3,0	81	45/65	1330	5,8	1549	67
PA4220WL	35	2200/5300	25/19	4,1	82	46/66	1930	8,4	2039	90
PA4225WL	44	2800/6400	26/20	5,2	83	47/67	2280	9,9	2549	109

💧 Water heat - PA4200 WH

Type	Output* ⁶ [kW]	Airflow* ¹ [m ³ /h]	Δt * ^{4,6} [°C]	Water volume [l]	Sound power* ² [dB(A)]	Sound pressure* ³ [dB(A)]	Motor [W]	Amperage motor [A]	Length [mm]	Weight [kg]
PA4210WH	14	1050/2600	22/16	1,3	80	44/64	920	4,0	1039	49
PA4215WH	21	1600/3800	22/16	2,0	81	45/65	1330	5,8	1549	65
PA4220WH	30	2200/5300	23/17	2,7	82	46/66	1930	8,4	2039	87
PA4225WH	36	2800/6400	22/16	3,8	83	47/67	2280	9,9	2549	105

💧 Water heat - PA4200 WLL

Type	Output* ⁷ [kW]	Airflow* ¹ [m ³ /h]	Δt * ^{4,7} [°C]	Water volume [l]	Sound power* ² [dB(A)]	Sound pressure* ³ [dB(A)]	Motor [W]	Amperage motor [A]	Length [mm]	Weight [kg]
PA4210WLL	10	1000/2500	15/12	2,5	80	44/64	920	4,0	1039	52
PA4215WLL	15	1500/3600	15/13	4,7	81	45/65	1330	5,8	1549	70
PA4220WLL	21	2100/5200	15/12	7,5	82	46/66	1930	8,4	2039	95
PA4225WLL	26	2700/6200	15/12	9,6	83	47/67	2280	9,9	2549	115

*¹) Lowest/highest airflow of totally 5 fan steps.

*²) Sound power (L_{WA}) measurements according to ISO 27327-2: 2014, Installation type E.

*³) Sound pressure (L_{pA}). Conditions: Distance to the unit 5 metres. Directional factor: 2. Equivalent absorption area: 200 m². At lowest/highest airflow.

*⁴) Δt = temperature rise of passing air at maximum heat output and lowest/highest airflow.

*⁵) Applicable at water temperature 60/40 °C, air temperature, in +18 °C.

*⁶) Applicable at water temperature 80/60 °C, air temperature, in +18 °C.

*⁷) Applicable at water temperature 40/30 °C, air temperature, in +18 °C.

Protection class for units with electrical heating: IP20.

Protection class for units without heating and units with water heating: IP21.

CE compliant.

Output charts water PA3500 WH

			Supply water temperature: 110 °C Room temperature: +18 °C Outlet air temperature: +35 °C*1				Water temperature: 110/80 °C Room temperature: +18 °C			
Type	Fan position	Airflow [m³/h]	Output [kW]	Return water temp. [°C]	Water flow [l/s]	Pressure drop [kPA]	Output*2 [kW]	Outlet air temp. [°C]	Water flow [l/s]	Pressure drop [kPA]
PA3510WH	max	1900	11,1	53	0,05	1,9	15,8	42,4	0,13	10,8
	min	950	5,6	42	0,02	0,4	10,3	49,8	0,085	5
PA3515WH	max	2900	16,8	53	0,07	1	24,6	42,9	0,02	6,4
	min	1350	8	43	0,03	0,2	15,3	51,2	0,13	2,7
PA3520WH	max	3900	23	50	0,09	2	34,1	43,6	0,3	14
	min	1800	10,4	37	0,03	0,4	21	52,2	0,2	5,8
PA3525WH	max	5100	29,1	50	0,12	1,2	43,9	43,2	0,36	8,6
	min	2300	13,7	40	0,05	0,3	26,7	52	0,22	3,5
			Supply water temperature: 90 °C Room temperature: +18 °C Outlet air temperature: +35 °C*1				Water temperature: 90/70 °C Room temperature: +18 °C			
Type	Fan position	Airflow [m³/h]	Output [kW]	Return water temp. [°C]	Water flow [l/s]	Pressure drop [kPA]	Output*2 [kW]	Outlet air temp. [°C]	Water flow [l/s]	Pressure drop [kPA]
PA3510WH	max	1900	11,0	58	0,09	5,3	12,9	37,9	0,16	15,9
	min	950	5,5	45	0,03	0,9	8,4	43,8	0,1	7,3
PA3515WH	max	2900	16,9	58	0,13	3,1	20	38,2	0,25	9,4
	min	1350	7,9	45	0,04	0,4	12,4	44,9	0,15	4
PA3520WH	max	3900	22	54	0,15	4,8	27,7	38,8	0,34	20,6
	min	1800	10,2	41	0,05	0,7	17	45,7	0,21	8,5
PA3525WH	max	5100	30,3	58	0,24	4,2	35,7	38,5	0,44	12,6
	min	2300	13,4	43	0,07	0,5	21,6	45,6	0,27	5,1
			Supply water temperature: 80 °C Room temperature: +18 °C Outlet air temperature: +35 °C*1				Water temperature: 80/60 °C Room temperature: +18 °C			
Type	Fan position	Airflow [m³/h]	Output [kW]	Return water temp. [°C]	Water flow [l/s]	Pressure drop [kPA]	Output*2 [kW]	Outlet air temp. [°C]	Water flow [l/s]	Pressure drop [kPA]
PA3510WH	max	1900	10,8	61	0,14	13,3	10,6	34,3	0,13	11,4
	min	950	5,5	48	0,04	1,6	6,9	39,2	0,08	5,3
PA3515WH	max	2900	16,7	61	0,22	7,8	16,4	34,6	0,2	6,7
	min	1350	7,6	46	0,05	0,7	10,2	40,1	0,12	2,8
PA3520WH	max	3900	23,2	61	0,3	17,1	22,8	35,1	0,28	14,7
	min	1800	10,4	44	0,07	1,3	10,4	40,8	0,17	6,1
PA3525WH	max	5100	29,9	61	0,39	10,5	29,3	34,8	0,36	9
	min	2300	13,6	46	0,1	0,9	17,8	40,7	0,22	3,7
			Supply water temperature: 82 °C Room temperature: +18 °C Outlet air temperature: +35 °C*1				Water temperature: 82/71 °C Room temperature: +18 °C			
Type	Fan position	Airflow [m³/h]	Output [kW]	Return water temp. [°C]	Water flow [l/s]	Pressure drop [kPA]	Output*2 [kW]	Outlet air temp. [°C]	Water flow [l/s]	Pressure drop [kPA]
PA3510WH	max	1900	11,0	62,0	0,14	12,3	12,5	37,3	0,28	44,9
	min	950	5,4	46	0,04	1,2	8,1	43	0,18	20,5
PA3515WH	max	2900	17,1	62	0,21	7,2	19,5	37,7	0,43	27,1
	min	1350	7,7	46	0,05	0,6	12,1	44,2	0,27	11,2
PA3520WH	max	3900	22,4	58	0,23	10,3	26,8	38,2	0,6	58,5
	min	1800	10,6	44	0,07	1,2	16,5	44,8	0,37	23,9
PA3525WH	max	5100	28,7	58	0,3	6,3	34,6	37,9	0,78	35,9
	min	2300	13,1	44	0,08	0,7	21	44,7	0,47	14,3

*1) Recommended outlet air temperature for good comfort and optimized output.

*2) Nominal output at given supply and return water temperature.

See www.frico.se for additional calculations.

Output charts water PA3500 WL

			Supply water temperature: 80 °C Room temperature: +18 °C Outlet air temperature: +35 °C*1				Water temperature: 80/60 °C Room temperature: +18 °C			
Type	Fan position	Airflow [m³/h]	Output [kW]	Return water temp. [°C]	Water flow [l/s]	Pressure drop [kPA]	Output*2 [kW]	Outlet air temp. [°C]	Water flow [l/s]	Pressure drop [kPA]
PA3510WL	max	1900	11,3	33	0,06	1,5	21,1	50,6	0,26	20,4
	min	950	5,6	29	0,03	0,4	13	58,2	0,16	8,5
PA3515WL	max	2900	16,9	30	0,08	1,9	33,5	51,9	0,4	32,8
	min	1350	8	27	0,04	0,5	19,4	60,2	0,24	12,2
PA3520WL	max	3900	23,2	31	0,11	1,4	45,3	52	0,55	22,8
	min	1800	10,6	28	0,05	0,3	26	60,3	0,32	8,4
PA3525WL	max	5100	30	29	0,14	2,5	59,7	52,3	0,73	45
	min	2300	13,2	25	0,06	0,5	33,7	60,9	0,41	15,9

			Supply water temperature: 70 °C Room temperature: +18 °C Outlet air temperature: +35 °C*1				Water temperature: 70/50 °C Room temperature: +18 °C			
Type	Fan position	Airflow [m³/h]	Output [kW]	Return water temp. [°C]	Water flow [l/s]	Pressure drop [kPA]	Output*2 [kW]	Outlet air temp. [°C]	Water flow [l/s]	Pressure drop [kPA]
PA3510WL	max	1900	11,3	35	0,08	2,5	16,7	43,7	0,2	13,6
	min	950	5,5	30	0,03	0,6	10,3	49,8	0,13	5,8
PA3515WL	max	2900	16,6	32	0,1	3	26,6	44,9	0,32	22
	min	1350	7,8	28	0,05	0,7	15,5	51,6	0,19	8,3
PA3520WL	max	3900	22	32	0,14	2,1	35,8	44,9	0,44	15,3
	min	1800	10,5	28	0,06	0,5	20,7	51,7	0,25	5,7
PA3525WL	max	5100	29,5	31	0,18	4	47,4	45,3	0,58	30,3
	min	2300	13,2	26	0,07	0,8	26,9	52,3	0,33	11

			Supply water temperature: 60 °C Room temperature: +18 °C Outlet air temperature: +35 °C*1				Water temperature: 60/40 °C Room temperature: +18 °C			
Type	Fan position	Airflow [m³/h]	Output [kW]	Return water temp. [°C]	Water flow [l/s]	Pressure drop [kPA]	Output*2 [kW]	Outlet air temp. [°C]	Water flow [l/s]	Pressure drop [kPA]
PA3510WL	max	1900	11,2	37	0,12	5,6	12,1	36,7	0,15	7,9
	min	950	5,5	31	0,05	1,1	7,6	41,3	0,09	3,4
PA3515WL	max	2900	16,8	35	0,16	6,6	19,5	37,7	0,24	13
	min	1350	8	30	0,06	1,3	11,5	42,9	0,14	5
PA3520WL	max	3900	22,4	35	0,22	4,5	26,2	37,7	0,32	9
	min	1800	10,3	30	0,08	0,8	15,3	42,9	0,19	3,4
PA3525WL	max	5100	30,4	35	0,29	9,3	35	38,1	0,42	18,1
	min	2300	13,5	28	0,1	1,5	20	43,5	0,24	6,7

			Supply water temperature: 55 °C Room temperature: +18 °C Outlet air temperature: +35 °C*1				Water temperature: 55/35 °C Room temperature: +18 °C			
Type	Fan position	Airflow [m³/h]	Output [kW]	Return water temp. [°C]	Water flow [l/s]	Pressure drop [kPA]	Output*2 [kW]	Outlet air temp. [°C]	Water flow [l/s]	Pressure drop [kPA]
PA3510WL	max	1900	11,2	39	0,18	10,7	9,8	33,1	0,12	5,5
	min	950	5,5	32	0,06	1,7	6,1	36,8	0,07	2,4
PA3515WL	max	2900	16,9	37	0,23	12,3	15,9	34,1	0,19	9,1
	min	1350	7,8	30	0,08	1,8	9,4	38,3	0,11	3,6
PA3520WL	max	3900	22,7	37	0,3	8,5	21,3	34	0,26	6,3
	min	1800	10,2	30	0,1	1,2	12,4	38,3	0,15	2,4
PA3525WL	max	5100	30,4	37	0,4	17,2	28,7	34,5	0,35	12,8
	min	2300	13,2	29	0,12	2,1	16,5	39	0,2	4,8

*1) Recommended outlet air temperature for good comfort and optimized output.

*2) Nominal output at given supply and return water temperature.

See www.frico.se for additional calculations.

Output charts water PA3500 WLL

			Supply water temperature: 55 °C Room temperature: +18 °C Outlet air temperature: +32 °C				Water temperature: 55/35 °C Room temperature: +18 °C			
Type	Fan position	Airflow [m³/h]	Output [kW]	Return water temp. [°C]	Water flow [l/s]	Pressure drop [kPA]	Output* [kW]	Outlet air temp. [°C]	Water flow [l/s]	Pressure drop [kPA]
PA3510WLL	max	1850	8,9	29,0	0,08	1,7	11,8	36,7	0,08	1,7
	min	900	4,4	28	0,04	0,5	6,9	40,5	0,04	0,5
PA3515WLL	max	2750	13,5	30	0,13	1	17,4	36,5	0,21	2,2
	min	1300	5,8	31	0,06	0,2	9,7	40,1	0,18	0,8
PA3520WLL	max	3700	17,7	27	0,16	1,6	17,7	38	0,3	5,1
	min	1700	8,2	27	0,07	0,4	8,2	42	0,17	1,8
PA3525WLL	max	4900	23,5	28	0,21	1,6	32,7	37,6	0,4	4,8
	min	2250	11	28	0,1	0,4	18,1	41,6	0,22	1,7

			Supply water temperature: 50 °C Room temperature: +18 °C Outlet air temperature: +32 °C				Water temperature: 50/30 °C Room temperature: +18 °C			
Type	Fan position	Airflow [m³/h]	Output [kW]	Return water temp. [°C]	Water flow [l/s]	Pressure drop [kPA]	Output* [kW]	Outlet air temp. [°C]	Water flow [l/s]	Pressure drop [kPA]
PA3510WLL	max	1850	9,0	30	0,11	2,7	8,9	32	0,11	2,6
	min	900	4,3	28	0,05	0,6	5,1	34,7	0,06	1
PA3515WLL	max	2750	12,9	30	0,16	1,3	12,7	31,5	0,15	1,3
	min	1300	6,2	30	0,07	0,4	6,5	32,8	0,08	0,4
PA3520WLL	max	3700	17,6	28	0,2	2,4	19,2	33,2	0,23	3,2
	min	1700	8,4	27	0,09	0,6	10,6	36,2	0,13	1,2
PA3525WLL	max	4900	22,6	28	0,25	2,2	24,8	32,8	0,3	3
	min	2250	10,9	27	0,12	0,6	13,6	35,8	0,16	1

			Supply water temperature: 45 °C Room temperature: +18 °C Outlet air temperature: +32 °C				Water temperature: 45/35 °C Room temperature: +18 °C			
Type	Fan position	Airflow [m³/h]	Output [kW]	Return water temp. [°C]	Water flow [l/s]	Pressure drop [kPA]	Output* [kW]	Outlet air temp. [°C]	Water flow [l/s]	Pressure drop [kPA]
PA3510WLL	max	1850	9,1	32,0	0,17	5,9	10,2	34,2	0,25	11,4
	min	900	4,4	29	0,07	1,2	5,9	37,2	0,14	4,4
PA3515WLL	max	2750	13,5	32	0,25	3	15,4	34,4	0,37	6
	min	1300	6,3	30	0,1	0,6	8,5	37,5	0,2	2,1
PA3520WLL	max	3700	18,1	30	0,3	5,1	21,6	35,1	0,52	13,6
	min	1700	8,1	27	0,11	0,9	11,8	38,3	0,29	4,7
PA3525WLL	max	4900	23,4	30	0,39	4,7	28,2	34,9	0,68	12,8
	min	2250	11,1	28	0,16	1	15,4	38,1	0,37	4,4

			Supply water temperature: 40 °C Room temperature: +18 °C Outlet air temperature: +32 °C				Water temperature: 40/30 °C Room temperature: +18 °C			
Type	Fan position	Airflow [m³/h]	Output [kW]	Return water temp. [°C]	Water flow [l/s]	Pressure drop [kPA]	Output* [kW]	Outlet air temp. [°C]	Water flow [l/s]	Pressure drop [kPA]
PA3510WLL	max	1850	8,9	34	0,35	21,0	7,6	30	0,18	6,9
	min	900	4,4	30	0,11	2,7	4,4	32,4	0,11	2,7
PA3515WLL	max	2750	12,8	32	0,41	7,4	11,3	30	0,27	3,5
	min	1300	6,2	30	0,15	1,2	6,2	32,2	0,15	1,2
PA3520WLL	max	3700	17,9	32	0,58	16,6	16,1	30,8	0,39	8,3
	min	1700	8,3	29	0,18	2,1	8,9	33,3	0,21	2,9
PA3525WLL	max	4900	23,4	32	0,75	15,6	21	30,6	0,51	7,7
	min	2250	10,7	29	0,23	1,9	11,6	33,1	0,28	2,7

*1) Recommended outlet air temperature for good comfort and optimized output.

*2) Nominal output at given supply and return water temperature.

See www.frico.se for additional calculations.

Output charts water PA4200 WH

			Supply water temperature: 110 °C Room temperature: +18 °C Outlet air temperature: +35 °C*1				Water temperature: 110/80 °C Room temperature: +18 °C			
Type	Fan position	Airflow [m³/h]	Output [kW]	Return water temp. [°C]	Water flow [l/s]	Pressure drop [kPA]	Output*2 [kW]	Outlet air temp. [°C]	Water flow [l/s]	Pressure drop [kPA]
PA4210WH	max	2600	15,1	53	0,06	3,9	21,2	41,9	0,17	22,1
	min	1050	6,1	37	0,02	0,5	12,1	51,6	0,10	8
PA4215WH	max	3800	21,7	53	0,09	1,2	31,7	42,4	0,26	7,6
	min	1600	9,1	42	0,03	0,2	18,5	51,8	0,15	2,8
PA4220WH	max	5300	30,2	50	0,12	2,4	44,9	42,8	0,37	17,1
	min	2200	12,7	37	0,04	0,4	25,9	52,5	0,21	6,3
PA4225WH	max	6400	36,2	53	0,16	0,6	54	42,7	0,44	4
	min	2800	16,3	44	0,06	0,1	32,2	51,7	0,27	1,6
			Supply water temperature: 90 °C Room temperature: +18 °C Outlet air temperature: +35 °C*1				Water temperature: 90/70 °C Room temperature: +18 °C			
Type	Fan position	Airflow [m³/h]	Output [kW]	Return water temp. [°C]	Water flow [l/s]	Pressure drop [kPA]	Output*2 [kW]	Outlet air temp. [°C]	Water flow [l/s]	Pressure drop [kPA]
PA4210WH	max	2600	14,7	58	0,11	11,0	17,2	37,4	0,21	32,4
	min	1050	6,0	41	0,03	1,1	9,8	45,3	0,12	11,7
PA4215WH	max	3800	21,7	58	0,17	3,6	25,7	37,9	0,32	11,3
	min	1600	9,5	45	0,05	0,4	15	45,4	0,18	4,2
PA4220WH	max	5300	31,1	58	0,24	8,3	36,4	38,1	0,45	25,1
	min	2200	12,6	41	0,06	0,8	21	45,9	0,26	9,2
PA4225WH	max	6400	36,8	58	0,29	1,9	43,9	38,1	0,54	6
	min	2800	15,9	45	0,09	0,2	26,1	45,4	0,32	2,3
			Supply water temperature: 80 °C Room temperature: +18 °C Outlet air temperature: +35 °C*1				Water temperature: 80/60 °C Room temperature: +18 °C			
Type	Fan position	Airflow [m³/h]	Output [kW]	Return water temp. [°C]	Water flow [l/s]	Pressure drop [kPA]	Output*2 [kW]	Outlet air temp. [°C]	Water flow [l/s]	Pressure drop [kPA]
PA4210WH	max	2600	15,2	65	0,25	44,5	14,2	34	0,17	23,4
	min	1050	6,0	44	0,04	1,9	8,1	40,5	0,10	8,5
PA4215WH	max	3800	21,5	61	0,28	9,3	21,1	34,3	0,26	8
	min	1600	9,2	46	0,07	0,7	12,3	40,5	0,15	3
PA4220WH	max	5300	30,5	61	0,40	20,9	30	34,6	0,37	18
	min	2200	12,8	44	0,09	1,4	17,3	41	0,21	6,6
PA4225WH	max	6400	36,7	61	0,48	4,9	35,9	34,4	0,44	4,2
	min	2800	16,6	48	0,13	0,5	21,4	40,4	0,26	1,7
			Supply water temperature: 82 °C Room temperature: +18 °C Outlet air temperature: +35 °C*1				Water temperature: 82/71 °C Room temperature: +18 °C			
Type	Fan position	Airflow [m³/h]	Output [kW]	Return water temp. [°C]	Water flow [l/s]	Pressure drop [kPA]	Output*2 [kW]	Outlet air temp. [°C]	Water flow [l/s]	Pressure drop [kPA]
PA4210WH	max	2600	14,8	62	0,18	25,1	16,6	36,7	0,37	91,4
	min	1050	6,1	44	0,04	1,8	9,4	44,3	0,21	32,5
PA4215WH	max	3800	22,0	62	0,27	8,6	25,1	37,4	0,56	32,5
	min	1600	9,3	46	0,06	0,7	14,6	44,7	0,32	11,9
PA4220WH	max	5300	31,3	62	0,38	19,3	35,3	37,5	0,79	71,9
	min	2200	12,4	42	0,08	1,1	20,3	45	0,45	25,9
PA4225WH	max	6400	37,5	62	0,46	4,5	42,9	37,7	0,96	17,2
	min	2800	15,8	46	0,11	0,4	25,5	44,7	0,57	6,6

*1) Recommended outlet air temperature for good comfort and optimized output.

*2) Nominal output at given supply and return water temperature.

See www.frico.se for additional calculations.

Output charts water PA4200 WL

			Supply water temperature: 80 °C Room temperature: +18 °C Outlet air temperature: +35 °C*1				Water temperature: 80/60 °C Room temperature: +18 °C			
Type	Fan position	Airflow [m³/h]	Output [kW]	Return water temp. [°C]	Water flow [l/s]	Pressure drop [kPA]	Output*2 [kW]	Outlet air temp. [°C]	Water flow [l/s]	Pressure drop [kPA]
PA4210WL	max	2600	14,9	31	0,07	2,7	28,4	50	0,35	42
	min	1050	6,0	26	0,03	0,5	15	59,9	0,18	13,3
PA4215WL	max	3800	21,7	30	0,11	2,2	43,3	51,4	0,53	38,4
	min	1600	9,5	27	0,04	0,5	23,3	60,7	0,29	12,5
PA4220WL	max	5300	31,4	31	0,15	2,0	60,1	51,2	0,73	31,9
	min	2200	12,8	27	0,06	0,4	32,1	60,7	0,39	10,2
PA4225WL	max	6400	36,6	28	0,17	2,9	75	52,3	0,92	56,7
	min	2800	16,3	24	0,07	0,6	41,4	61,3	0,51	19,2
			Supply water temperature: 70 °C Room temperature: +18 °C Outlet air temperature: +35 °C*1				Water temperature: 70/50 °C Room temperature: +18 °C			
Type	Fan position	Airflow [m³/h]	Output [kW]	Return water temp. [°C]	Water flow [l/s]	Pressure drop [kPA]	Output*2 [kW]	Outlet air temp. [°C]	Water flow [l/s]	Pressure drop [kPA]
PA4210WL	max	2600	14,9	33	0,10	4,6	22,5	43,4	0,27	28,2
	min	1050	6,1	28	0,03	0,8	12	51,4	0,15	9,1
PA4215WL	max	3800	22,1	32	0,14	3,8	34,3	44,4	0,42	25,7
	min	1600	9,4	28	0,05	0,7	18,6	52,1	0,23	8,5
PA4220WL	max	5300	31,4	33	0,21	3,5	47,6	44,3	0,58	21,4
	min	2200	12,7	28	0,07	0,6	25,6	52,1	0,31	7
PA4225WL	max	6400	36,4	30	0,22	4,7	59,7	45,3	0,73	38,3
	min	2800	15,8	25	0,09	0,9	33,1	52,7	0,40	13,2
			Supply water temperature: 60 °C Room temperature: +18 °C Outlet air temperature: +35 °C*1				Water temperature: 60/40 °C Room temperature: +18 °C			
Type	Fan position	Airflow [m³/h]	Output [kW]	Return water temp. [°C]	Water flow [l/s]	Pressure drop [kPA]	Output*2 [kW]	Outlet air temp. [°C]	Water flow [l/s]	Pressure drop [kPA]
PA4210WL	max	2600	15,4	37	0,17	11,8	16,5	36,6	0,20	16,6
	min	1050	6,2	30	0,05	1,4	8,9	42,7	0,11	5,5
PA4215WL	max	3800	21,6	35	0,21	7,6	25,2	37,4	0,31	15
	min	1600	9,2	29	0,07	1,2	13,8	43,2	0,17	5,1
PA4220WL	max	5300	29,9	35	0,29	6,3	34,9	37,3	0,42	12,6
	min	2200	13,1	30	0,10	1,1	18,9	43,2	0,23	4,2
PA4225WL	max	6400	36,8	33	0,34	10,0	44,1	38,2	0,54	22,8
	min	2800	16,3	28	0,12	1,7	24,7	43,9	0,30	8,1
			Supply water temperature: 55 °C Room temperature: +18 °C Outlet air temperature: +35 °C*1				Water temperature: 55/35 °C Room temperature: +18 °C			
Type	Fan position	Airflow [m³/h]	Output [kW]	Return water temp. [°C]	Water flow [l/s]	Pressure drop [kPA]	Output*2 [kW]	Outlet air temp. [°C]	Water flow [l/s]	Pressure drop [kPA]
PA4210WL	max	2600	15,2	39	0,23	22,3	13,4	33,1	0,16	11,7
	min	1050	6,0	30	0,06	2,0	7,2	38,2	0,09	3,9
PA4215WL	max	3800	21,8	37	0,29	14,2	20,5	33,8	0,25	10,5
	min	1600	9,3	30	0,09	1,8	11,3	38,6	0,14	3,6
PA4220WL	max	5300	30,2	37	0,41	11,9	28,4	33,7	0,34	8,8
	min	2200	12,8	30	0,13	1,5	15,5	38,6	0,19	3
PA4225WL	max	6400	37,1	36	0,47	18,4	36,2	34,6	0,44	16,2
	min	2800	16,5	29	0,15	2,6	20,4	39,3	0,25	5,8

*1) Recommended outlet air temperature for good comfort and optimized output.

*2) Nominal output at given supply and return water temperature.

See www.frico.se for additional calculations.

Output charts water PA4200 WLL

			Supply water temperature: 55 °C Room temperature: +18 °C Outlet air temperature: +32 °C				Water temperature: 55/35 °C Room temperature: +18 °C			
Type	Fan position	Airflow [m³/h]	Output [kW]	Return water temp. [°C]	Water flow [l/s]	Pressure drop [kPA]	Output* [kW]	Outlet air temp. [°C]	Water flow [l/s]	Pressure drop [kPA]
PA4210WLL	max	2500	12,0	29	0,11	2,0	15,7	36,5	0,19	4,9
	min	1000	4,8	28	0,04	0,4	7,9	41,3	0,10	1,5
PA4215WLL	max	3600	17,2	27	0,15	2,0	24,3	37,8	0,29	6,4
	min	1500	7,4	27	0,06	0,5	12,5	42,4	0,15	2
PA4220WLL	max	5200	25,1	29	0,23	1,6	33,3	36,8	0,40	4,2
	min	2100	9,0	29	0,08	0,3	16,7	41,3	0,20	1,2
PA4225WLL	max	6200	29,5	28	0,26	1,7	41,3	37,5	0,50	5,3
	min	2700	13,9	28	0,13	0,5	21,9	41,8	0,27	1,7
			Supply water temperature: 50 °C Room temperature: +18 °C Outlet air temperature: +32 °C				Water temperature: 50/30 °C Room temperature: +18 °C			
Type	Fan position	Airflow [m³/h]	Output [kW]	Return water temp. [°C]	Water flow [l/s]	Pressure drop [kPA]	Output* [kW]	Outlet air temp. [°C]	Water flow [l/s]	Pressure drop [kPA]
PA4210WLL	max	2500	12,0	30	0,15	3,2	11,9	31,9	0,14	3,1
	min	1000	4,9	28	0,05	0,6	5,9	35,3	0,07	0,9
PA4215WLL	max	3600	17,0	28	0,19	3,1	18,6	33,1	0,22	4,1
	min	1500	7,2	26	0,07	0,6	9,5	36,6	0,12	1,3
PA4220WLL	max	5200	25,3	30	0,31	2,7	24,9	32,1	0,30	2,6
	min	2100	10,0	28	0,11	0,5	12,2	35	0,15	0,7
PA4225WLL	max	6200	30,1	29	0,35	2,9	31,3	32,8	0,38	3,3
	min	2700	12,8	27	0,14	0,6	16,4	35,8	0,20	1
			Supply water temperature: 45 °C Room temperature: +18 °C Outlet air temperature: +32 °C				Water temperature: 45/35 °C Room temperature: +18 °C			
Type	Fan position	Airflow [m³/h]	Output [kW]	Return water temp. [°C]	Water flow [l/s]	Pressure drop [kPA]	Output* [kW]	Outlet air temp. [°C]	Water flow [l/s]	Pressure drop [kPA]
PA4210WLL	max	2500	12,2	32	0,23	6,9	13,7	34	0,33	13,4
	min	1000	4,8	28	0,07	0,9	6,8	37,9	0,16	3,9
PA4215WLL	max	3600	17,4	30	0,29	6,4	20,8	34,9	0,50	17
	min	1500	7,3	27	0,10	1,0	10,5	38,5	0,25	5,1
PA4220WLL	max	5200	25,7	32	0,48	5,8	29	34,3	0,70	11,5
	min	2100	10,1	28	0,15	0,7	14,4	38,1	0,35	3,3
PA4225WLL	max	6200	29,6	30	0,49	5,2	35,6	34,8	0,86	14,4
	min	2700	13,3	28	0,19	1,0	18,7	38,3	0,45	4,5
			Supply water temperature: 40 °C Room temperature: +18 °C Outlet air temperature: +32 °C				Water temperature: 40/30 °C Room temperature: +18 °C			
Type	Fan position	Airflow [m³/h]	Output [kW]	Return water temp. [°C]	Water flow [l/s]	Pressure drop [kPA]	Output* [kW]	Outlet air temp. [°C]	Water flow [l/s]	Pressure drop [kPA]
PA4210WLL	max	2500	11,9	34,0	0,46	24,6	10,1	29,9	0,24	8
	min	1000	4,7	29,0	0,10	1,7	5,1	32,8	0,12	2,4
PA4215WLL	max	3600	17,2	32,0	0,55	20,7	15,5	30,6	0,37	10,4
	min	1500	7,4	29,0	0,16	2,3	7,9	33,5	0,19	3,2
PA4220WLL	max	5200	24,1	32,0	0,77	14,1	21,4	30,1	0,52	6,8
	min	2100	9,8	29,0	0,21	1,4	10,7	32,9	0,26	2
PA4225WLL	max	6200	29,6	32,0	0,95	17,6	26,5	30,5	0,64	8,6
	min	2700	13,0	29,0	0,28	1,9	14	33,2	0,34	2,7

*1) Recommended outlet air temperature for good comfort and optimized output.

*2) Nominal output at given supply and return water temperature.

See www.frico.se for additional calculations.

Montage- und Betriebsanleitung

Allgemeine Anweisungen

Bitte lesen Sie diese Anweisungen vor der Montage und Verwendung gründlich durch. Bewahren Sie diese Anleitung zum späteren Nachschlagen gut auf.

Das Produkt darf nur gemäß den Anweisungen in der Montage- und Betriebsanleitung verwendet werden.

Die Garantie gilt nur, wenn das Produkt sachgemäß sowie entsprechend den Anweisungen verwendet wird.

Einsatzbereich

Der PA3500 ist für Eingangstüren und kleinere Türen mit bis zu 3,5 Meter Höhe geeignet.

Der PA4200 ist für Eingänge und Industrietore mit bis zu 4,2 Metern Höhe geeignet.

Der Luftschleier ist ohne Heizfunktion, mit elektrischer Heizung und als wasserbeheizte Version verfügbar.

Schutzart für elektrisch beheizte Geräte: IP20.

Schutzart für Geräte ohne Heizung und mit Wasser beheizte Geräte: IP21.

Betrieb

Luft wird an der Ober- bzw. Rückseite des Geräts angesaugt und nach unten bzw. außen ausgeblasen. Auf diese Weise entsteht an der Türöffnung eine Luftbarriere und Wärmeverluste werden minimiert. Um eine optimale Luftschleierwirkung zu erzielen, muss das Gerät die Türöffnung über die gesamte Höhe bzw. Breite abdecken.

Das Ausblasgitter ist verstellbar und sollte nach außen gerichtet werden, um den bestmöglichen Schutz vor eintretender Luft zu gewährleisten.

Der Wirkungsgrad des Luftschleiers hängt von der Lufttemperatur, Druckunterschieden am Eingang und den Windverhältnissen ab.

HINWEIS! Unterdruck im Gebäude verringert die Effizienz des Luftschleiers deutlich. Daher ist auf eine ausgewogene Belüftung zu achten.

Montage

Die Luftschleierreihe kann für eine waagerechte oder senkrechte Montage

angepasst werden und die Geräte können auch in Zwischendecken integriert werden.

Horizontale Montage

Der Luftschleier wird horizontal installiert, wobei die Ausblasöffnung nach unten zeigt und sich so nah wie möglich an der Tür befindet. Der Mindestabstand vom Auslass zum Fußboden für elektrisch beheizte Geräte beträgt 1800 mm. Für weitere Mindestabstände siehe Abb. 3.

Zum Schutz von breiteren Öffnungen können mit Hilfe eines Verbindungssets mehrere Geräte nebeneinander montiert werden (Abb. 9).

Für eine saubere Montage steht für die Wand- und die Deckenmontage ein Installationspaket zur Verfügung, mit dem Sie Kabel, Leitungen und Halterungen diskret abdecken können.

Montage mit Wandhalterungen PA34WB (Abb. 6)

1. Entfernen Sie die Kunststoffabdeckungen an den Wandhalterungen. (Abb. 6A)
2. Bringen Sie die Konsolen entsprechend den Maßen auf Abb. 6B an der Wand an.
3. Befestigen Sie die Hammerkopfschrauben in den M8-Löchern des Geräts. (Abb. 5 und 6C)
4. Sichern Sie die Muttern, so dass sich die Hammerkopfschrauben in 20 mm Höhe befinden. Beachten Sie die Richtung der Schraubenköpfe. (Abb. 6C)
5. Schieben Sie das Gerät auf die Konsolen. (Abb. 6D)
6. Sichern Sie die Muttern gegen die Halterung und setzen Sie die Kunststoffabdeckungen wieder auf. (Abb. 6E)

Horizontale Deckenmontage

Gewindestangen, Drahtmontagesätze und Deckenhalterungen für die Deckenmontage sind als Zubehörteile erhältlich, siehe Abb. 7 und 8 sowie separate Anleitungen.

Für den horizontalen Einbau in Zwischendecken. Die Auslass-Verlängerung für die versenkte Montage ist als Zubehörteil erhältlich, siehe Abb. 10 sowie separate Anleitung.

Vertikale Montage PA3JK

Geräte ab einer Länge von 1,5 Metern können senkrecht verwendet werden. Für eine senkrechte Montage muss das Gerät mit einem Set zur senkrechten Befestigung ergänzt werden, das alles enthält, was für eine praktische Installation von bodenmontierten Geräten benötigt wird.

Das Gerät kann umgedreht und an beiden Seiten der Tür positioniert werden. Die Anschlüsse und die PC-Karte SIRE befinden sich in Bodennähe, wenn der Luftschleier an der linken Seite der Tür positioniert wurde und an der Oberseite, wenn er auf der rechten Seite positioniert wurde (Blickrichtung von innen).

Die mitgelieferte Befestigungsleiste wird mit für die Oberfläche geeignetem Befestigungsmaterial angebracht.

Es können zwei Geräte direkt aufeinander montiert werden, die Befestigungsleiste wird dann als Verbindungshalterung benutzt.

Der Luftschleier muss an einer Wand oder Decke befestigt werden.

Für eine saubere Montage steht Ihnen als Zubehörteil ein Installationspaket zur Verfügung, mit dem Sie die Kabel und Leitungen diskret abdecken können, siehe Zubehörseiten.

Siehe Abb. 11 sowie separate Anleitung.

Elektrische Installation

Bei der Installation sollte ein allpoliger Schalter mit mindestens 3 mm Kontaktabstand vorgeschaltet werden. Die Installation muss durch einen qualifizierten Elektriker gemäß den aktuellen IEE-Richtlinien erfolgen. Das Steuersystem im Luftschleier ist mit einer integrierten Steuerkarte vorinstalliert, (siehe Abb. 2).

SIRE ist bereits programmiert und hat Schnellanschlüsse.

Es sind modulare Kabel an den Regler angeschlossen. Siehe Handbuch für SIRE.

Gerät ohne Heizung oder mit Wasser beheiztes Gerät

Wird über den eingebauten SIRE-Regler mit einem 2-Meter-Kabel und Netzstecker angeschlossen.

Elektrisch beheiztes Gerät

Der Elektroanschluss erfolgt auf der Oberseite des Geräts (waagrecht) oder auf der Rückseite (senkrecht). Die Regelversorgung beträgt 230 V~ und das Kabel wird von dem eingebauten SIRE-Regler aus verlegt. Die Stromversorgung für die Heizung (400 V3 ~) ist an die Klemmleiste in dem integrierten Anschlusskasten angeschlossen. Geräte ab einer Länge von 2 Metern benötigen eine doppelte Stromversorgung.

Der größte Kabeldurchmesser für die Klemmleiste beträgt 16 mm². Die verwendeten Kabelanschlüsse müssen den Anforderungen zu den Schutzarten gerecht werden. In diesem Fall muss im Verteiler folgender Hinweis angebracht sein: Die Stromversorgung der Luftschleier kann über mehr als einen Anschluss erfolgen.

Siehe Schaltpläne.

Typ	Leistung [kW]	Spannung [V]	Mindestquerschnitt* [mm ²]
Alles Kontroll	0	230V~	1,5
PA3510E08	8	400V3~	2,5
PA3515E12	12	400V3~	4
PA4210E12	12	400V3~	4
PA4215E18	18	400V3~	10
PA3520E16* ¹	8	400V3~	2,5
	8	400V3~	2,5
PA3525E20* ¹	8	400V3~	2,5
	12	400V3~	4
PA4220E24* ¹	12	400V3~	4
	12	400V3~	4
PA4225E30* ¹	12	400V3~	4
	18	400V3~	10

*1) 2-Meter und 2,5-Meter-Geräte sind an zwei Stromversorgungen angeschlossen, siehe S. 2. 2,5-Meter-Geräte haben elektrische Batterien mit zwei verschiedenen Wirkungen, wobei die elektrische Batterie auf der linken Seite (vom Innern des Raums aus gesehen) die größte Wirkung hat.

*2) Die Bemaßung der externen Beschaltung muss mit den geltenden Vorschriften und eventuellen örtlichen Abweichungen übereinstimmen.

Inbetriebnahme (E)

Wenn das Gerät erstmalig oder nach langem Nichtbenutzen wieder in Betrieb genommen wird, kann es aufgrund von Staubablagerungen oder Schmutzpartikeln zu Rauch- oder Geruchsbildung kommen. Das ist völlig unbedenklich und lässt nach kurzer Zeit nach.

Anschließen des Heizregisters (W)

Die Installation muss durch einen befugten Installateur erfolgen.

Das Wasserheizregister verfügt über Kupferrohre mit Aluminiumlamellen und ist für den Anschluss an eine geschlossene Wasserheizungsanlage geeignet. Stahl-Anschlussrohr. Das Heizregister darf nicht an ein Druckwasserleitungssystem oder offenes Wassersystem angeschlossen werden.

Beachten Sie, dass für das Gerät ein Regelventil vorgeschaltet sein muss, siehe Ventilsatz von Frico.

Das Wasserregister ist über 3/4-Zoll-Anschlüsse (DN20) mit Außengewinde an die Oberseite (waagerechte Montage) bzw. an die Rückseite des Geräts (senkrechte Montage) angeschlossen. Flexible Schläuche sind als Zubehör erhältlich, siehe Zubehörseiten.

Die Anschlüsse an die Heizspirale müssen mit Absperr- und Ablaufventilen (in den Ventilsätzen von Frico enthalten) versehen sein, um ein problemfreies Entfernen zu gewährleisten.

Ein Entlüftungsventil muss an einer höher gelegenen Stelle im Rohrsystem angebracht werden. Luftventile gehören nicht zum Lieferumfang.

Bei einer senkrechten Montage und einem Wasseranschluss an der Unterseite des Geräts ist es nicht möglich, das Heizregister im Gerät zu entlüften. Vergewissern Sie sich vor der Inbetriebnahme, dass das Wasserheizregister mit Wasser gefüllt und frei von Luft ist. Siehe Abb. 4.

Wir empfehlen, einen T-Anschluss und Absperrventile zu verwenden. Kleine Luftbläschen können bestehen bleiben, verschwinden bei normalem Betrieb aber wieder. ACHTUNG: Vorsicht beim Anschluss an die Wasserzuleitung. Verwenden Sie einen Schraubenschlüssel o.ä., um die Anschlüsse des Luftschleiers gegen ein Verdrehen zu sichern und dadurch mögliche Leckagen zu vermeiden.

Regelung des Luftschleiers und des Luftstroms

Richtung und Stärke des Volumenstroms sollten unter Berücksichtigung der Druckverhältnisse an der Türöffnung eingestellt werden. Druckkräfte beeinflussen den Luftstrom und lenken ihn ins Gebäudeinnere (wenn das Gebäude beheizt und die Außenluft kalt ist).

Der Luftstrom sollte daher nach außen gelenkt werden, um der Last entgegenzuwirken. Allgemein gilt: Je höher der Druck, desto größer der Einstellwinkel.

Grundeinstellungen der Ventilatorzahl

Die Ventilatorzahl wird bei einer geöffneten Tür über die Steuerung eingestellt. Beachten Sie bitte, dass die Strömungsrichtung und die Ventilatorzahl ggf. Feineinstellungen erfordern können, je nachdem, wie stark die Tür beansprucht wird.

Filter (W)

Das Wasserheizregister wird durch einen Luftfilter, der an der Außenseite des Heizregisters angebracht ist, gegen Schmutz und Verstopfung geschützt. In Umgebungen, in denen eine häufige Reinigung des Filters erforderlich ist, wird die Verwendung eines externen Einlassfilters (siehe Zubehörseiten) empfohlen, der eine einfachere Wartung ermöglicht, da das Gerät nicht geöffnet werden muss.

Service, Reparaturen und Wartung

Vor jedem Service, Reparatur oder Wartung Folgendes ausführen:

1. Die Stromversorgung trennen.
2. Lockern Sie die Schrauben und heben Sie die Frontabdeckung an. Die Vorderseite wird durch den Haken der Frontklappe offen gehalten, siehe Abb. 1A, oder vollständig entfernt, siehe Abb. 1B. Die Wartungsklappe kann durch Lockern der Schrauben entfernt werden.
3. Befestigen Sie nach Service, Reparaturen und Wartung wieder die Wartungsklappe und die Vorderseite. Wenn die Vorderseite entfernt wurde, müssen Sie sich vergewissern, dass sie wieder fest in die vorderen Verriegelungen eingesetzt wurde, siehe Abb. 1B.

Wartung

Mit Wasser beheiztes Gerät:

Der Gerätefilter muss regelmäßig gereinigt werden, um die Wirkung des Luftfilters und den Wärmeausstoß vom Gerät zu gewährleisten. Die Häufigkeit kann je nach den vor Ort herrschenden Bedingungen variieren. Ein verstopfter Filter stellt kein Risiko dar, kann jedoch die Wirkung des Geräts beeinträchtigen.

1. Trennen Sie das Gerät von der Stromversorgung.
2. Lockern Sie die Schrauben und heben Sie die Frontabdeckung an. Die Vorderseite wird durch den Haken der Frontklappe offen gehalten, siehe Abb. 1A.
3. Entfernen Sie den Filter und saugen Sie ihn aus oder waschen Sie ihn. Wenn der Filter verstopft oder beschädigt ist, muss er eventuell ausgetauscht werden.

Alle Geräte:

Da Ventilatormotoren sowie alle anderen Bauteile wartungsfrei sind, sind außer einer Reinigung keine weiteren Wartungsarbeiten erforderlich. Das Ausmaß der Reinigungsarbeiten kann je nach den vor Ort herrschenden Bedingungen variieren. Nehmen Sie mindestens zweimal pro Jahr eine Reinigung vor. Ansaug- und Ausblasgitter, Rotor und alle Einbauteile können mit einem Staubsauger oder mit einem feuchten Tuch gereinigt werden. Benutzen Sie bei der Reinigung mit einem Staubsauger eine Bürste, um die Beschädigung empfindlicher Teile zu verhindern. Keine stark alkalischen oder säurehaltigen Reinigungsmittel verwenden.

Überhitzung

Der Luftschleier mit elektrischer Heizung ist mit einem Überhitzungsschutz ausgestattet. Sollte er aufgrund von Überhitzung ausgelöst werden, setzen Sie ihn wie folgt zurück:

1. Schalten Sie die Stromversorgung über den voll isolierten Schalter ab.
2. Lassen Sie die elektrische Heizspirale abkühlen.
3. Stellen Sie den Grund der Überhitzung fest und beheben Sie den Fehler.
4. Schließen Sie den Luftschleier wieder an die Stromversorgung an.

Alle Motoren sind mit einer integrierten thermischen Sicherung ausgestattet. Wenn die Temperatur des Motors zu stark ansteigt, reagiert die Sicherung und schaltet den Luftschleier ab. Die Abschaltung wird automatisch zurückgesetzt, sobald die Motortemperatur wieder im Betriebsbereich des Motors liegt.

Temperaturregler

Der Temperaturregler SIRE hält die Ausgangstemperatur konstant. Sollte die Temperatur dennoch den eingestellten Wert überschreiten, ertönt der Überhitzungsalarm. Weitere Informationen hierzu finden Sie im Handbuch zu SIRE.

Austausch von Ventilatoren

1. Stellen Sie fest, welcher der Ventilatoren defekt ist.
2. Lösen Sie die Kabel von dem betroffenen Ventilator.
3. Entfernen Sie die Schrauben am Ventilator und nehmen Sie ihn heraus.
4. Bauen Sie den neuen Ventilator in umgekehrter Reihenfolge ein.

Austausch einer Heizspirale (E)

1. Markieren und lösen Sie die Kabel des Heizspiralenpakets.
2. Entfernen Sie die Befestigungsschrauben des Heizspiralenpakets im Gerät und nehmen Sie es heraus.
3. Tauschen Sie die defekte Heizspirale aus.
4. Bauen Sie die Heizspirale in umgekehrter Reihenfolge ein.

Austauschen des Heizregisters (W)

1. Schalten Sie die Wasserversorgung des Geräts ab.
2. Lösen Sie die Anschlüsse des Heizregisters.
3. Entfernen Sie die Befestigungsschrauben des Heizregisters im Gerät und nehmen Sie es heraus.
4. Bauen Sie das neue Heizregister in umgekehrter Reihenfolge ein.

Fehlersuche

Wenn die Ventilatoren nicht funktionieren oder nicht stark genug blasen, prüfen Sie Folgendes:

- Ob das Lufteinlassgitter bzw. der Filter verschmutzt ist.
- Überprüfen Sie die Funktionen und Einstellungen des Regelsystems SIRE, siehe Handbuch für SIRE.

Wenn keine Wärme produziert wird, prüfen Sie Folgendes:

- Überprüfen Sie die Funktionen und Einstellungen des Regelsystems SIRE, siehe Handbuch für SIRE.

Bei Geräten mit Elektroheizung sollte auch Folgendes geprüft werden:

- Stromversorgung der Heizspirale: Prüfen Sie die Sicherungen und (möglicherweise vorhandene) Überlastschalter.
- Prüfen Sie, ob der Überhitzungsschutz der Motoren ausgelöst wurde.

Bei Geräten mit Wasserheizregister sollte auch Folgendes geprüft werden:

- Ob das Wasserheizregister frei von Luft ist.
- Ob der Wasserstrom ausreichend ist.
- Ob das einströmende Wasser heiß genug ist.

Wenn der Fehler nicht behoben werden kann, setzen Sie sich bitte mit einem qualifizierten Servicetechniker in Verbindung.

FI-Schalter (E)

Sollte die Installation durch einen FI-Schalter geschützt sein, die beim Anschließen des Geräts ausgelöst wird, kann dies mit der Feuchtigkeit im Heizelement zusammenhängen. Wurde ein Gerät mit Heizelement lange Zeit nicht benutzt oder in einer feuchten Umgebung aufbewahrt, kann Feuchtigkeit in das Element eindringen.

Hierbei handelt es sich nicht um einen Fehler, da dies behoben werden kann, indem das Gerät über eine Steckdose an das Stromnetz angeschlossen wird, ohne dass dabei die Sicherungsschaltung aktiviert wird. Die Feuchtigkeit wird dadurch aus dem Element entfernt werden. Die Trockendauer kann zwischen wenigen Stunden und einigen Tagen variieren. Wenn das Gerät eine längere Zeit nicht im Einsatz ist, sollte es hin und wieder zur Vorbeugung für eine kurze Zeit eingeschaltet werden.

Verpackung

Verpackungsmaterialien werden unter Berücksichtigung von Umweltaspekten ausgewählt und sind darum recycelbar.

Umgang mit dem Produkt nach Ende der Produktnutzungszeit

Dieses Produkt kann Substanzen enthalten, die zwar für die Funktionalität des Produkts notwendig, jedoch potenziell schädlich für die Umwelt sind. Das Produkt sollte nicht gemeinsam mit allgemeinen Haushaltsabfällen entsorgt, sondern in eine dazu bestimmte Sammeleinrichtung für umweltfreundliches Recycling gebracht werden. Bitte wenden Sie sich für weitere Informationen bezüglich Ihrer nächsten Sammeleinrichtung an die Kommunalverwaltung.

Sicherheit

- Für sämtliche Installationen von elektrisch beheizten Geräten muss zum Brandschutz ein FI-Schalter mit 300 mA vorgesehen werden.
- Halten Sie die Bereiche um das Lufteinlassgitter und das Luftausblasgitter frei von möglichen Hindernissen!
- Das Gerät darf nicht vollständig oder teilweise abgedeckt werden, da sonst Brandgefahr durch Überhitzung entsteht!
- Zum Anheben des Gerätes muss Hebezeug verwendet werden.
- Dieses Gerät kann von Kindern ab 8 Jahren und Personen mit eingeschränkten körperlichen, sensorischen oder geistigen Fähigkeiten oder Personen mit mangelnder Erfahrung oder mangelnden Kenntnissen verwendet werden, sofern sie bei der Verwendung des Gerätes beaufsichtigt werden oder eine gründliche Einweisung in die sichere Verwendung des Gerätes erhalten haben und mit den mit der Verwendung verbundenen Gefahren vertraut sind. Kinder dürfen nicht mit dem Gerät spielen. Die Reinigung und Wartung des Gerätes darf von Kindern nicht ohne Aufsicht durchgeführt werden.
- Das Gerät nicht in Reichweite von Kindern unter 3 Jahren aufstellen, es sei denn, sie werden ständig beaufsichtigt.
- Kinder zwischen 3 und 8 Jahren dürfen das Gerät nur dann ein- und ausschalten, wenn es an seinem üblichen Betriebsplatz aufgestellt und installiert ist, und wenn sie beaufsichtigt sowie im sicheren Gebrauch des Gerätes geschult werden, und sich der damit verbundenen Gefahren bewusst sind.
- Kinder zwischen 3 und 8 Jahren dürfen nicht den Gerätestecker einstecken, das Gerät einstellen und reinigen bzw. Wartungsarbeiten daran ausführen.

ACHTUNG Einige Geräteteile können sehr heiß werden und Verbrennungen verursachen. In Anwesenheit von Kindern oder gebrechlichen Personen ist besondere Vorsicht geboten.

Übersetzung für Einführungsseiten

- Outside thread = Außengewinde
- Quantity included = Lieferumfang
- pcs = Stück
- Accessories = Zubehör
- See separate manual for xxx = Siehe separate Anleitung für xxx.
- Wiring diagrams for XXX and XXX, see manual for SIRE = Schaltbilder für xxx und xxx, siehe Handbuch für SIRE.
- Note! The air curtain must be secured in the wall or ceiling. = Hinweis! Der Luftschleier muss an einer Wand oder Decke befestigt werden.

Technische Daten

Output steps [kW]	= Leistungsstufen
Output* ^{5,6,7} [kW]	= Leistung
Airflow* ¹ [m ³ /h]	= Volumenstrom
Sound power* ² [dB(A)]	= Schalleistung
Sound pressure* ³ [dB(A)]	= Schalldruck
Voltage motor [V]	= Spannung Motor
Amperage motor [A]	= Stromstärke Motor
Voltage / Amperage heat	= Spannung / Stromstärke Heizung
Water volume [l]	= Wassermenge
Length [mm]	= Länge
Weight [kg]	= Gewicht

*¹) Niedrigster/höchster Luftstrom von insgesamt 5 Lüftungsstufen.

*²) Schalleistungsmessungen (LWA) gemäß ISO 27327-2: 2014, Installationstyp E.

*³) Schalldruck (LpA). Bedingungen: Abstand zum Gerät: 5 Meter. Richtungsfaktor: 2. Entsprechende Absorptionsfläche: 200 m². Bei minimalem/maximalem Volumenstrom.

*⁴) Δt = Temperaturanstieg bei maximaler Heizleistung und hohem/niedrigem Volumenstrom.

*⁵) Gilt für Wassertemperaturen von 60/40 °C, Lufteintrittstemperatur +18 °C.

*⁶) Gilt für Wassertemperaturen von 80/60 °C, Lufteintrittstemperatur +18 °C.

*⁷) Gilt für Wassertemperaturen von 40/30 °C, Lufteintrittstemperatur +18 °C.

Schutzart für elektrisch beheizte Geräte: IP20.

Schutzart für Geräte ohne Heizung und mit Wasser beheizte Geräte: IP21.

CE-konform.

Leistungstabelle Wasserheizregister

Supply water temperature [°C]	= Wassereintrittstemperatur
Room temperature [°C]	= Raumtemperatur
Outlet air temperature* ¹ [°C]	= Auslasslufttemperatur
Water temperature [°C]	= Wassertemperatur
Fan position	= Ventilatorposition
Airflow [m ³ /h]	= Volumenstrom
Output* ² [kW]	= Leistung
Return water temperature [°C]	= Rücklaufwassertemperatur
Water flow [l/s]	= Wassermenge
Pressure drop [kPa]	= Druckverlust

*¹) Empfohlene Ausblastemperatur für angenehmen Komfort und optimale Leistung.

*²) Nennleistung bei angegebener Vor- und Rücklaufwassertemperatur.

Weitere Berechnungen finden Sie auf www.frico.se.



Main office

Frico AB
Industrivägen 41
SE-433 61 Sävedalen
Sweden

Tel: +46 31 336 86 00

mailbox@frico.se
www.frico.net

**For latest updated information and information
about your local contact: www.frico.net.**