



PAECS

Slim and cost effective air curtain with EC motor and integrated controls for cold rooms

Installation height for cold storage: up to 4 m*

PAECS creates an effective barrier between temperature zones. Stepless control that can be set for open and closed door allows precise adjustment for every installation, with optimised protection at the lowest possible energy consumption.

PAECS is the perfect choice for cold room and freezer applications.

- Very low operating costs can be achieved thanks to the combination of EC motors and Frico's unique fan geometry.
- Stepless airflow control.
- Prepared with extracted wiring (1,8 m) enabling easy connection of an external door contact.
- Easy installation with 1,5 m cable and plug.
- Wall brackets included.
- The front is easy to remove, which facilitates installation and allows easy maintenance.
- Corrosion proof housing made of hot zinc-plate and powder enamelled steel panels. Colour front: white, RAL 9016, NCS S 0500-N. Colour grille, rear section, ends and brackets: grey, RAL 7046.



Optimized airflow with Thermozone technology.

🌀 Ambient, no heat - PAECS (IP44)

Type	Output [kW]	Airflow [m ³ /h]	Sound power* ¹ [dB(A)]	Sound pressure* ² [dB(A)]	Voltage motor [V]	Amperage motor* ³ [A]	Length [mm]	Weight [kg]
PAECS10	0	1450* ⁴	77	44/62	230V~	0,14/0,79	1050	15
PAECS15	0	2200* ⁴	78	45/62	230V~	0,20/1,17	1560	20
PAECS20	0	3100* ⁴	83	51/67	230V~	0,50/2,12	2050	30

*¹) Sound power (L_{WA}) measurements according to ISO 27327-2: 2014, Installation type E.

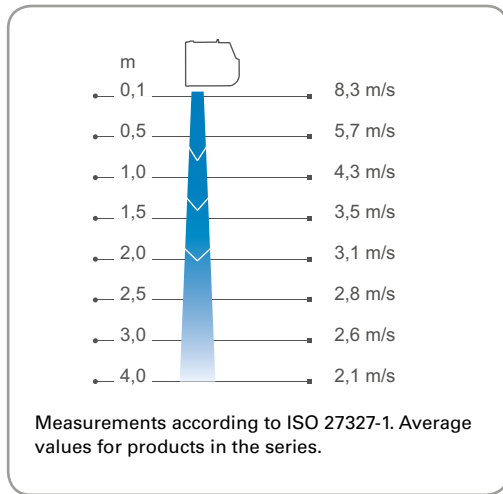
*²) Sound pressure (L_{pA}). Conditions: Distance to the unit 5 metres. Directional factor: 2. Equivalent absorption area: 200 m². At 50% and 100% airflow.

*³) Applicable at 50% and 100% airflow.

*⁴) Max. air flow, 10V.

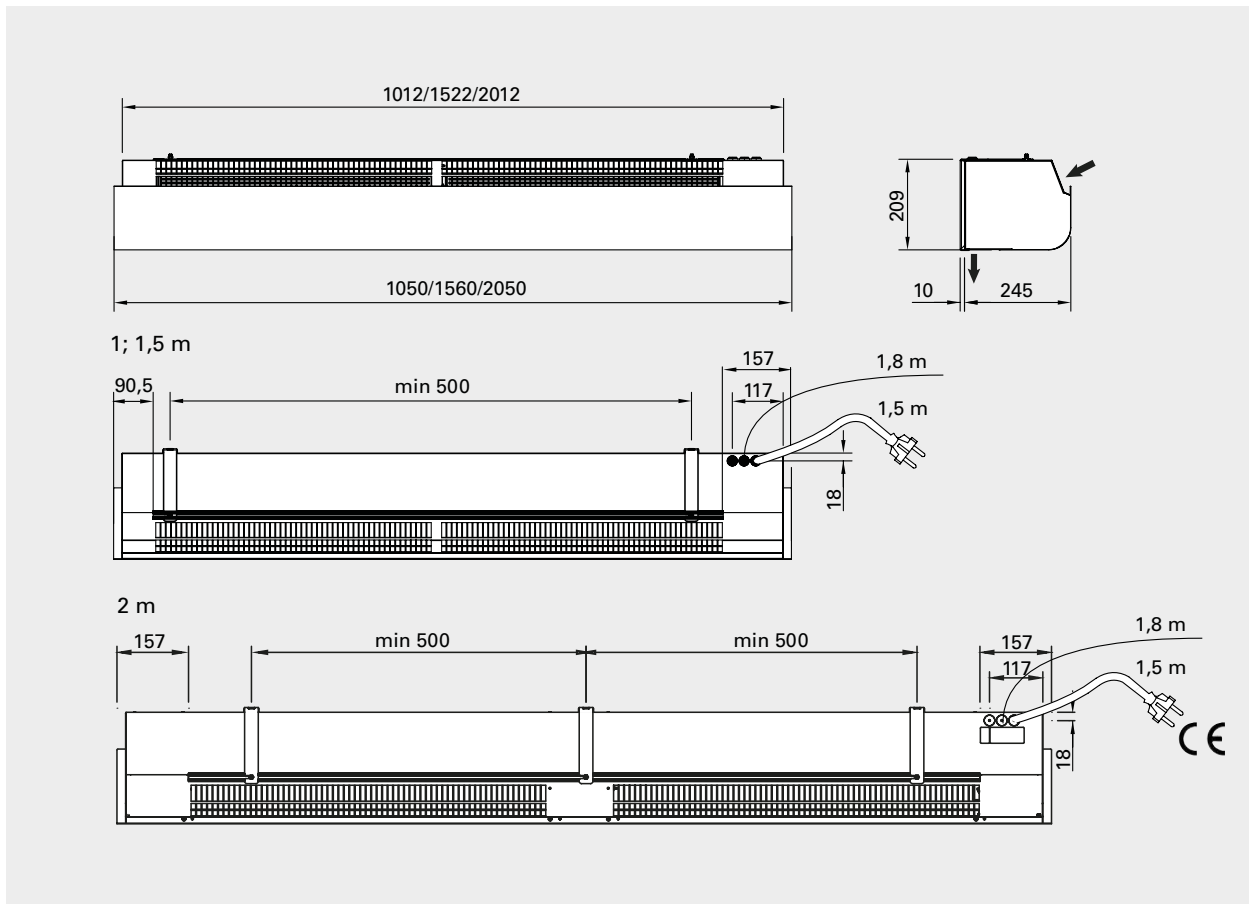
*) Recommended installation height varies depending on the relevant premises.

Air velocity profile - Cold storage



"Cold storage" applies to installations inside a building, between two inner rooms where the air exchange through the opening between the rooms is caused by the difference in air temperature.

Dimensions



For mounting, connection, wiring diagrams and other technical information, please see the manual.

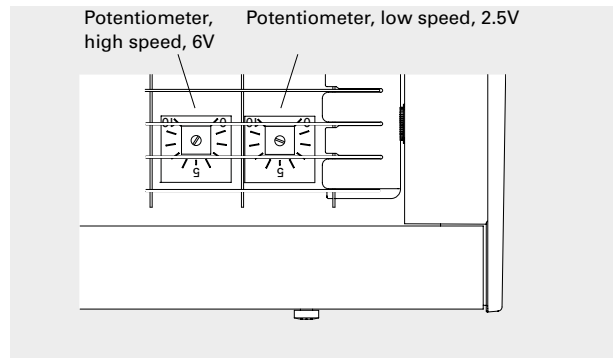
Control options

Stepless airflow control with door contact/position limit switch

When the door is closed the fan runs at low speed, set on the internal potentiometer 0-10V, which is located inside the outlet grille. When the door opens, the fan runs at high speed, set on an external potentiometer. This control option gives low response time and the best protection.

Control kit:

- SReDC, door contact or AGB304, position limit switch



Internal potentiometer for low and high speed (accessible through the outlet grille).

BMS control

The air curtain can also be controlled via BMS (0-10V).

Accessories



SReDC, door contact

Indicates door status. Potential free, changeover contact.

AGB304, position limit switch

Starts the air curtain or activates a fan speed control when the door is opened. When the door closes, AGB304 stops the air curtain or changes fan speed through a fan speed control. Alternating contact 4 A, 230 V~. IP67.

PA2PF, ceiling mounting brackets

Mountings for installing the unit in the ceiling using hanging brackets or threaded bars (not included).

PA34TR, threaded bars

Threaded bars for installing unit on to a ceiling. Length 1 m. Used together with ceiling mounting brackets PA2PF/PA3PF.

PA2P, hanging brackets

Hanging brackets for installing the unit suspended from the ceiling. Length 1 m. The hanging brackets are covered by a white plastic trim to cover the cables. The brackets may be cut to shorter length, if required. Used together with ceiling mounting brackets PA2PF/PA3PF.

Type	Description	Quantity included	Length
SReDC	Door contact		
AGB304	Position limit switch, IP44		
PA2PF15	Ceiling mounting brackets for 1 and 1,5 metre units	4	
PA2PF20	Ceiling mounting brackets for 2 metre units	6	
PA34TR15	Threaded bars for 1 and 1,5 metre units	4	1 m
PA34TR20	Threaded bars for 2 metre units	6	1 m
PA2P15	Hanging brackets for 1 and 1,5 metre units	2	1 m
PA2P20	Hanging brackets for 2 metre units	3	1 m